

PARTS MANUAL

02. ENGINE

ENGINE SUPPORTS

CHASSIS: 32506

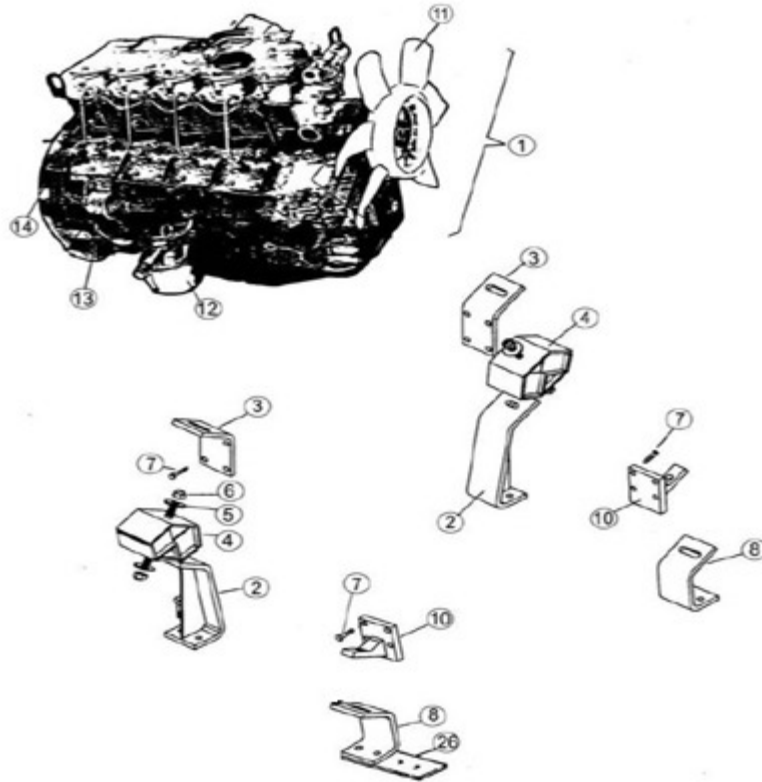


FIGURE	REFERENCE	DENOMINATION	AMOUNT
001	43.50101.01	DIESEL ENGINE	1
002	60.02820.00	ENGINE SUPPORT	2
003	15.40866.00	ENGINE SUPPORT	2
004	15.97770.01	SHOCK ABSORBER 60X120X64 50 A	4
005	112.10000.66	WASHER DIN9021 D10	8
006	711.12000.66	NUT DIN982 M12	8
007	604.10030.86	SCREW DIN931	16
008	15.20112.00	ENGINE SUPPORT	2
010	15.20113.00	ENGINE SUPPORT	2
011	58.10100.01	FAN	1
012	MN000029	FUEL FILTER GASOIL	1
013	86.70000.07	ELECTRIC FUEL PUMP (CH 200)	1
014	86.80000.03	SOLENOID	1

02. ENGINE

SILENCER

CHASSIS: 33470

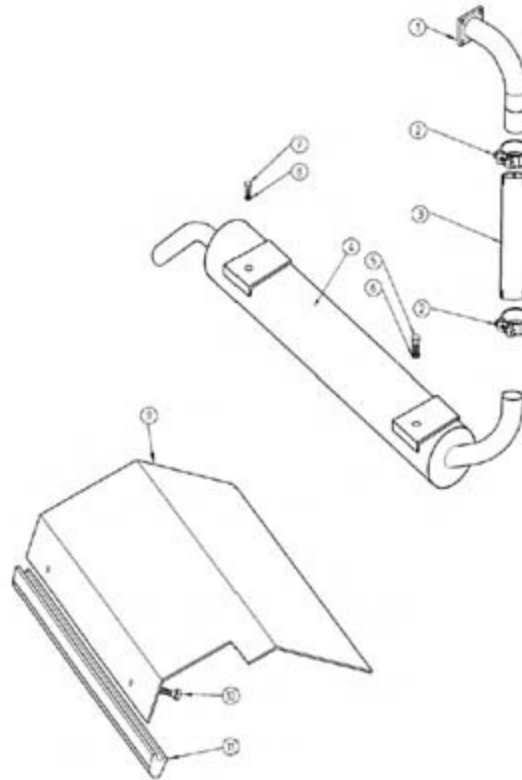


FIGURE	REFERENCE	DENOMINATION	AMOUNT
001	43.07510.11	EXHAUST MANIFOLD	1
002	935.51055.66	CLAMP (CH 250)	2
003	15.10298.02	TUBE EXHAUST	1
004	60.00123.03	MUFFLER	1
005	603.12020.86	SCREW DIN933	1
006	104.12000.00	WASHER DIN7980 D12	1
007	603.10035.86	SCREW DIN933 M10x35	1
008	603.10035.86	SCREW DIN933 M10x35	1
009	60.11770.00	ENGINE GUARD	1
010	603.08030.86	SCREW DIN933 M8X30	2
011	60.11771.00	PERFIL GOMA 16X23X850	1

02. ENGINE

AIR FILTER COMP.

CHASSIS: 39954

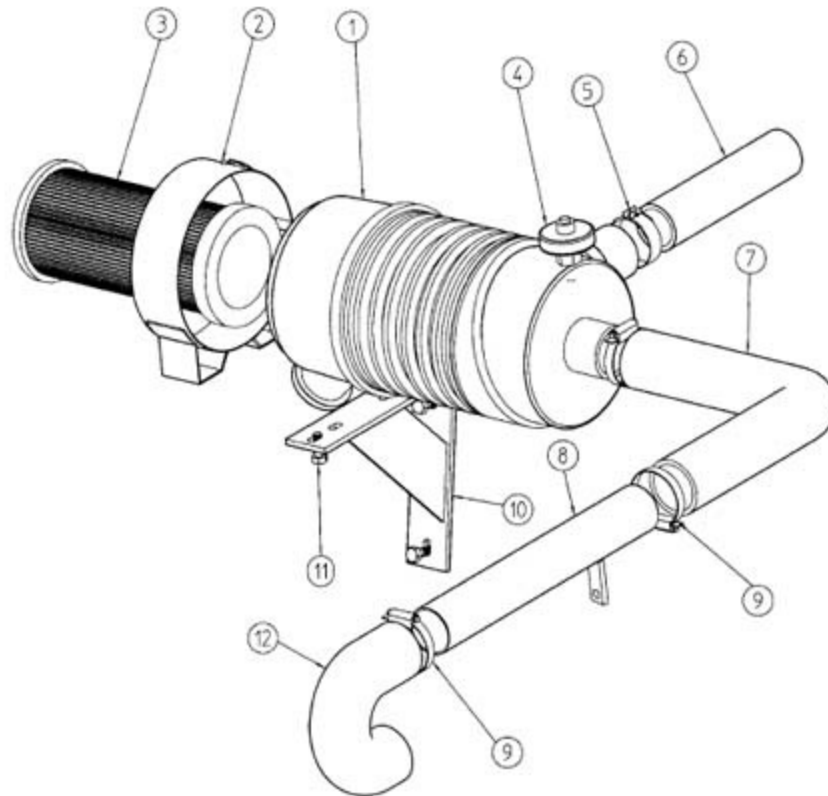


FIGURE	REFERENCE	DENOMINATION	AMOUNT
001	45.01200.12	AIR FILTER VIRGIS	1
002	45.01201.12	CLAMP	1
003	45.01204.00	FILTER ELEMENT 60x105x300 (500H)	1
004	43.50119.00	AIR FILTER INDICATOR	1
005	912.32050.66	CLAMP DIN3017	1
006	46.10194.00	HOSE RUBBER B/P	1
007	45.11194.00	ADMISSION TUBE	1
008	60.80201.00	TUBE MET.	1
009	912.40060.66	CLAMP D40-60	1
010	43.50437.01	AIR FILTER SUPPORT	1
011	603.08020.86	SCREW DIN933 M8x20	4
012	46.00110.01	ADMISSION TUBE	1

02. ENGINE

RADIATORS

CHASSIS: 32670

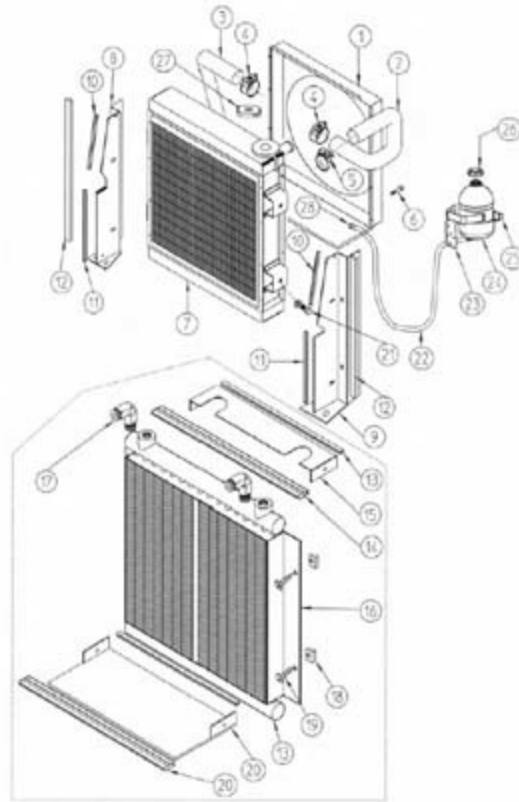


FIGURE	REFERENCE	DENOMINATION	AMOUNT
001	43.40195.01	GUARD RADIATOR	1
002	43.13150.00	3LD1 HOSE RADIATOR UPPER	1
003	43.13160.00	3LD1 HOSE RADIATOR UPPER	1
004	43.40313.00	CLAMP DIN3017	2
005	912.25040.66	CLAMP DIN3017	2
006	619.05016.86	SCREW DIN7971 4.8X16	8
007	86.03001.21	RADIATOR	1
008	60.02828.00	FIXING SUPPORT	1
009	60.02829.00	FIXING SUPPORT	1
010	60.11200.00	PERFIL GOMA 12X28X200	2
011	60.11260.00	PERFIL GOMA 12X28X260	2
012	60.11530.00	PERFIL GOMA 10X20X530	2
013	60.11440.00	PERFIL GOMA 8X15X440	2
014	60.11441.00	PERFIL GOMA 12X28X440	2
015	60.11446.00	CASING	1
016	55.13151.00	RADIATOR	1

017	55.01446.00	ELBOW C90M/M NIPPLE	2
018	726.06003.66	CAGED NUT M6x3	4

02. ENGINE

RADIATORS

CHASSIS: 32670

FIGURE	REFERENCE	DENOMINATION	AMOUNT
019	603.06015.86	SCREW DIN933 M6x15	10
020	60.11445.00	CASING	1
021	603.10020.86	SCREW DIN933 M10x20	4
022	469.03014.00	HOSE L/P MAT. 8x14	1
023	43.70183.01	FIXING SUPPORT	1
024	58.00183.01	TANK	1
025	43.70782.00	TIE ROD	1
026	09.00172.00	CAP	1
027	43.40106.01	CAP	2

02. ENGINE

GAS-OIL TANK

CHASSIS: 32895

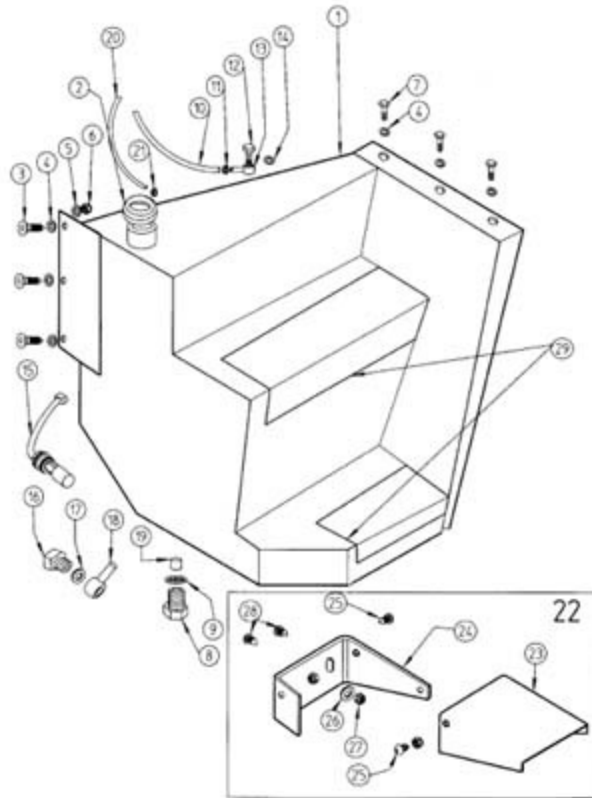


FIGURE	REFERENCE	DENOMINATION	AMOUNT
001	60.01431.12	TANK	1
002	15.01524.00	TANK CAP	1
003	630.08025.96	SCREW ISO7380	3
004	112.08000.66	WASHER DIN9021 D8	12
005	104.08000.00	WASHER DIN7980 D8	6
006	701.08000.66	NUT DIN934 M8X1,25	6
007	603.08030.86	SCREW DIN933 M8X30	3
008	00.02803.00	SCREW DIN910*	1
009	107.14000.10	WASHER AL 14x20x1.5	1
010	43.00750.01	TUBO PLAS. TRANS. 6x9x540	1
011	938.08000.66	CLAMP SPRING	1
012	80.06041.00	FITTING SCREW SIM. M8x1x16	2
013	45.04107.00	FITTING O/TB D3-D8.2	2
014	106.08000.20	WASHER CU	4
015	43.70261RE00	BUOY OIL LEVEL INDICATOR	1
016	52.00110.00	NIPPLE SCREW SIM.	1

017	106.14000.20	WASHER CU	1
018	45.04106.00	NIPPLE O/TB	1

02. ENGINE

GAS-OIL TANK

CHASSIS: 32895

FIGURE	REFERENCE	DENOMINATION	AMOUNT
019	01.00335.00	MAGNET	1
020	15.10750.00	TUBO PLAS. TRANS. D6xD9x300	1
021	948.01107.00	CLAMP SPRING	1
022	60.11707.00	PROT. DEPOSITO 45x95x114	1
023	60.11706.00	TANK GUARD	1
024	60.11705.00	TANK GUARD	1
025	630.06015.96	SCREW ISO7380 M6x15	2
026	101.06000.66	WASHER DIN125 D6	2
027	711.06000.66	NUT DIN982 M6	4
028	630.06020.96	SCREW ISO7380 M6x20	2
029	45.01465.00	SUPLEMENTO ANTIDESLIZ. 100X200	2

CHASSIS

CHASSIS

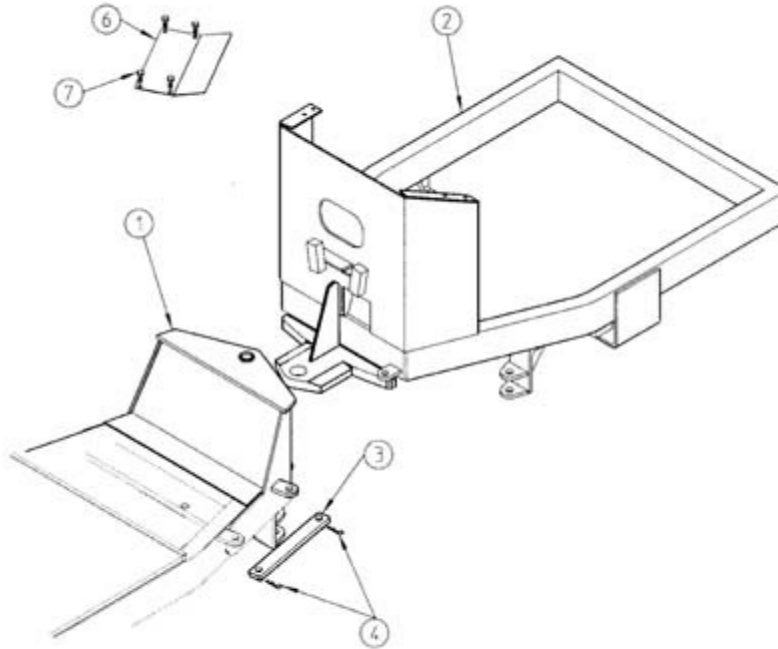


FIGURE	REFERENCE	DENOMINATION	AMOUNT
001	60.12800.03	BASTIDOR 120X740X1225	1
002	60.20800.04	FRAME	1
003	59.00809.00	CON ROD	1
004	15.00836.01	PIN DIN11024	2
005	60.00880.00	SHAPE L MAT.	1
006	60.08001.00	COVER	1
007	603.08015.86	SCREW DIN933 M8x15	4

CHASSIS

CHASSIS CONNECTING ROD

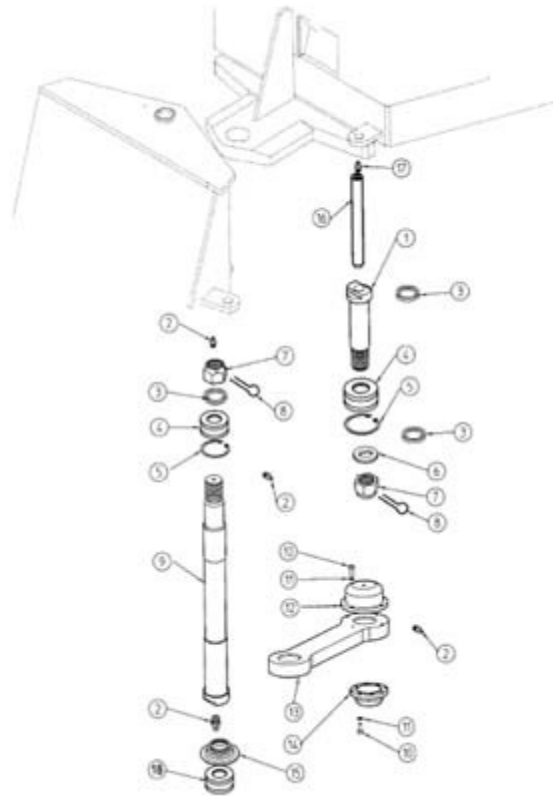


FIGURE	REFERENCE	DENOMINATION	AMOUNT
001	61.01396.00	AXLE COR/ROS	1
002	901.08000.33	GREASER DIN71412-A M8x1,25	4
003	61.11396.00	REGUL SPACER	3
004	941.40040.00	BUSHING	2
005	905.68000.00	RING 0,5 MM.	2
006	101.30000.66	WASHER DIN125 D30	2
007	01.01319.00	NUT DIN935 M30x2x30	2
008	401.04050.60	PIN DIN94 4x50	2
009	60.10396.03	AXLE CIL/ROS	1
010	601.06025.86	SCREW DIN912	12
011	101.06000.66	WASHER DIN125 D6	12
012	60.10804.03	COVER	1
013	60.00801.01	CON ROD	1
014	60.11804.01	COVER	1
015	60.05510.02	DUST EXCLUDER	1
016	61.01397.00	AXLE CIL/ROS	1



017	901.10000.33	GREASER DIN71412-A	1
018	941.50056.00	BUSHING	1

TRANSMISSION

HYDROMATIC SUPPORT

CHASSIS: 39797

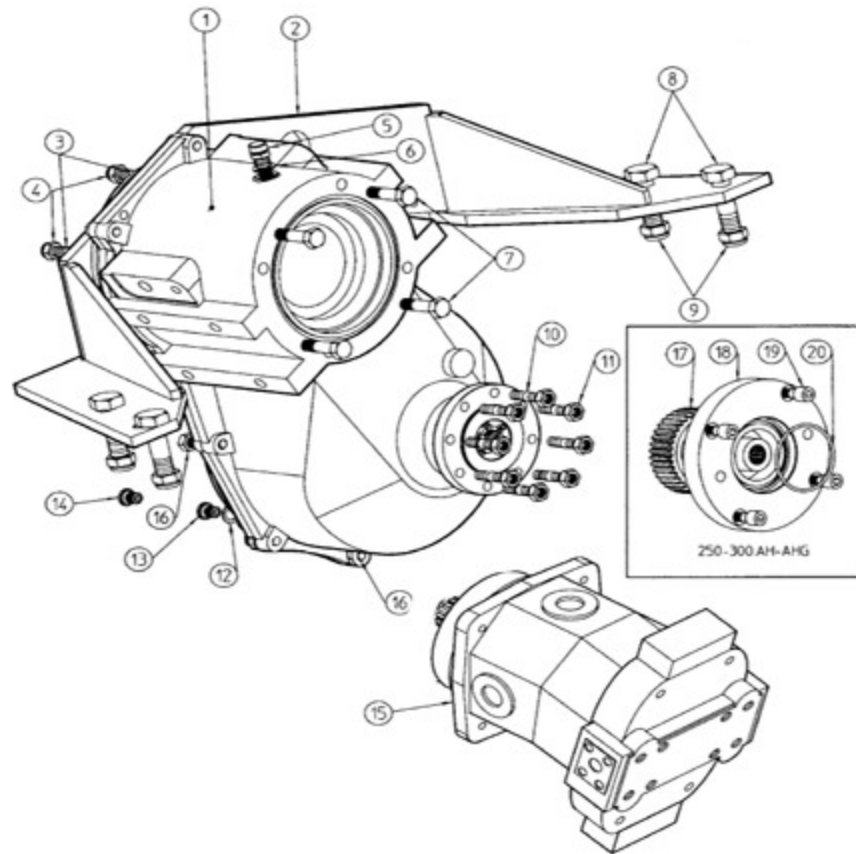


FIGURE	REFERENCE	DENOMINATION	AMOUNT
001	60.32300.00	CAJA REDUCTORA	1
002	60.03745.00	ENGINE SUPPORT	1
003	43.40129.00	STUD DIN939	4
004	701.14000.66	NUT DIN934 M14x2	4
005	52.00365.00	CAP	1
006	107.14000.10	WASHER AL 14x20x1.5	1
007	604.12045.86	SCREW DIN931	4
008	604.12060.86	SCREW DIN931 M12x60	4
009	711.12000.66	NUT DIN982 M12	4
010	15.01034.00	STUD DIN938* 41 M10x1,5	8
011	709.10000.66	NUT	16
012	107.14000.10	WASHER AL 14x20x1.5	2
013	10.00921.00	CAP M14X150 DIN908	2
014	80.01035.01	CAP	1
015	60.13151.00	HYDRAULIC ENGINE	1
016	603.10025.86	SCREW DIN933 M10x25	8

017	43.70401.00	GEAR	1
018	60.04208.01	COUPLING CYL/CYL	1

TRANSMISSION
HYDROMATIC SUPPORT
CHASSIS: 39797

FIGURE	REFERENCE	DENOMINATION	AMOUNT
019	601.12035.86	SCREW DIN912	4
020	201.08535.50	O-RING DIN3770	1

TRANSMISSION REDUCTOR SUPPORT

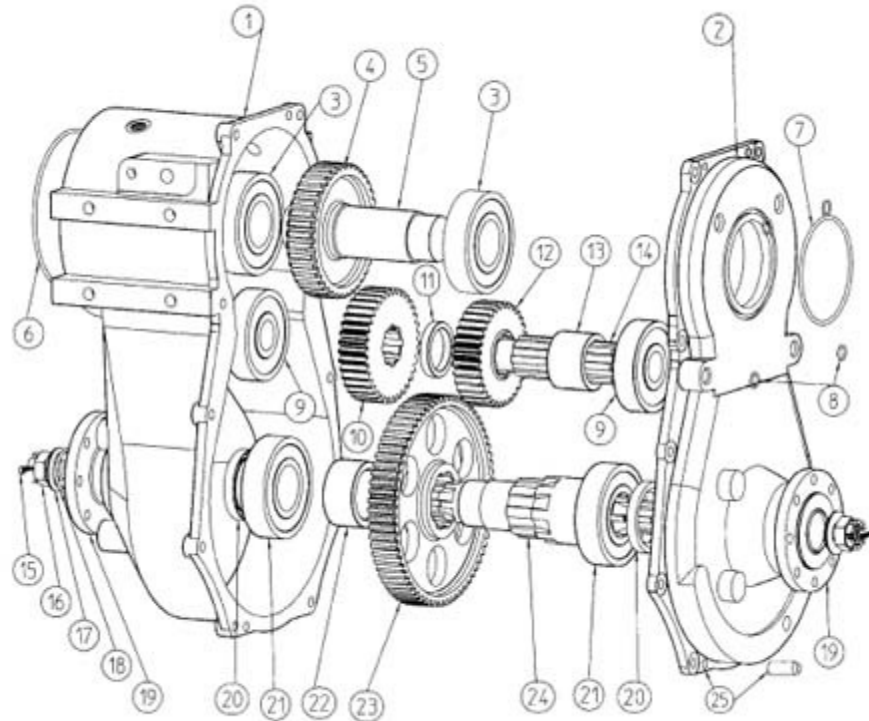


FIGURE	REFERENCE	DENOMINATION	AMOUNT
001	43.00190.00	CASING	1
002	43.00191.00	COVER	1
003	301.45025.00	BEARING DIN625	2
004	43.70401.00	GEAR	1
005	43.70629.00	SHAFT CIL/CIL	1
006	201.15035.50	O-RING DIN3770	1
007	201.10035.50	O-RING DIN3770	1
008	201.12002.50	O-RING DIN3770	4
009	301.30023.00	BEARING DIN625	2
010	43.70402.00	GEAR	1
011	43.70380.00	PANEL	1
012	43.70354.00	GEAR	1
013	43.70381.00	PANEL	1
014	43.70360.00	SHAFT CPA/DEN	2
015	401.35040.60	PIN	2
016	710.20000.66	NUT DIN935 M20x1,5	2

017	15.00368.00	WASHER DIN1440*	2
018	201.37003.50	O-RING DIN3770	2

TRANSMISSION REDUCTOR SUPPORT

FIGURE	REFERENCE	DENOMINATION	AMOUNT
019	43.70610.00	COUPLING CYL/CYL	2
020	205.50010.50	SEAL DIN3760	2
021	301.45025.00	BEARING DIN625	2
022	43.70387.00	PANEL	2
023	60.00297.00	GEAR	1
024	43.70806.00	SHAFT DEN/ROS	1
025	403.10024.00	PIN	2

TRANSMISSION

HYDROMATIC PUMP COUPLING

CHASSIS: 35863

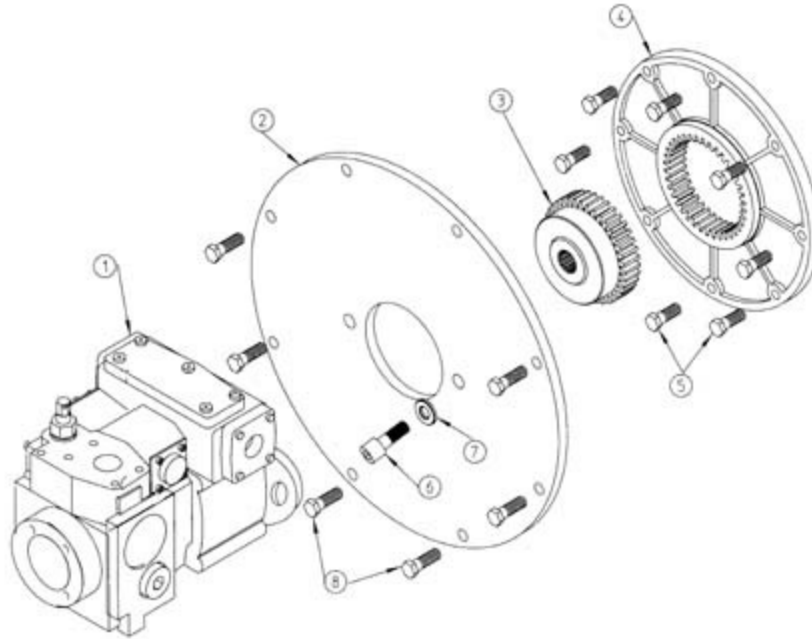


FIGURE	REFERENCE	DENOMINATION	AMOUNT
001	60.13150.01	HYDR. PUMP	1
002	63.01003.00	COUPLING CYL/CYL	1
003	63.01002.00	COUPLING GEA/GEA	1
004	62.20912.00	COUPLING CYL/GEA	1
005	603.08025.86	SCREW DIN933 M8x25	8
006	601.14045.86	SCREW DIN912 M14x45	2
007	101.14000.66	WASHER DIN125 D14	2
008	604.10030.86	SCREW DIN931	6

TRANSMISSION

FRONT AXLE

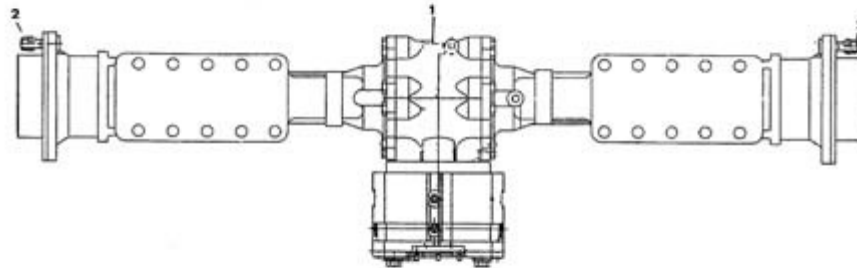


FIGURE	REFERENCE	DENOMINATION	AMOUNT
001	60.10400.00	AXLE FIXED	1
002	15.00452.00	SCREW FASTENING WHEEL	12
003	15.00453.00	NUT	12

TRANSMISSION

CARDAN JOINTS (FRONT AXLE)

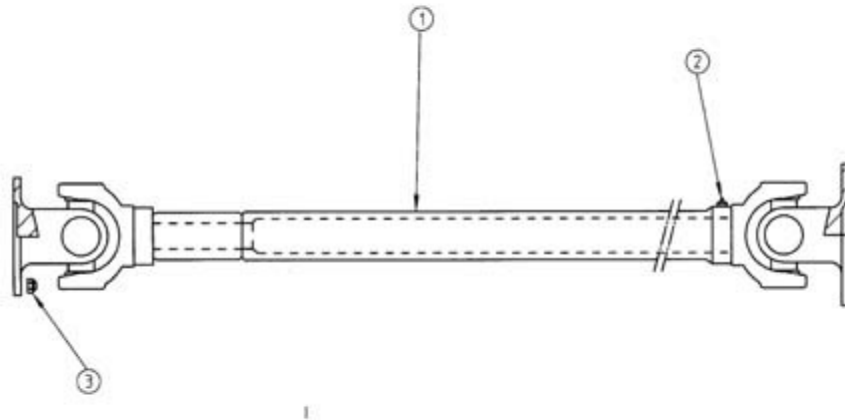


FIGURE	REFERENCE	DENOMINATION	AMOUNT
001	60.03200.01	PROPELLER SHAFT	1
002	901.06000.33	GREASER DIN71412-A	1
003	718.08000.66	NUT	8

TRANSMISSION

REAR AXLE

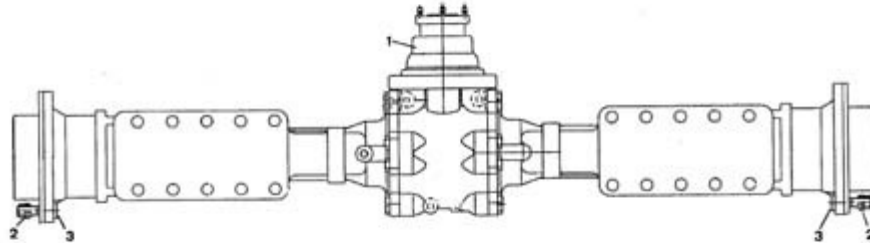


FIGURE	REFERENCE	DENOMINATION	AMOUNT
001	60.10500.00	AXLE FIXED	1
002	15.00452.00	SCREW FASTENING WHEEL	10
003	15.00453.00	NUT	10

TRANSMISSION

KARDAN JOINT (REAR AXLE)

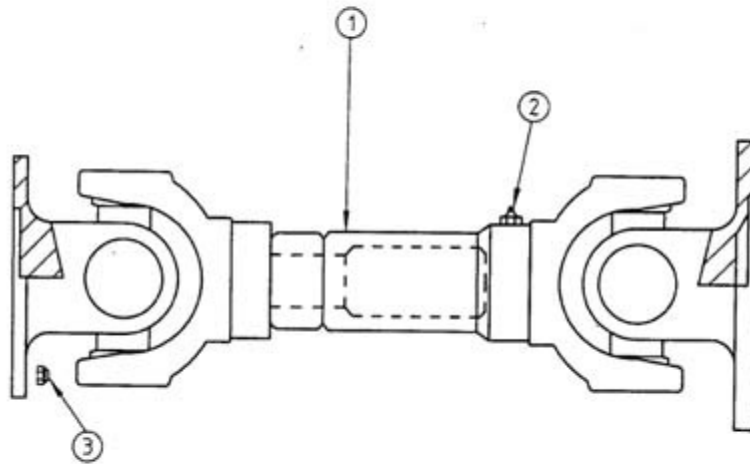


FIGURE	REFERENCE	DENOMINATION	AMOUNT
001	60.03201.00	PROPELLER SHAFT	1
002	945.10000.33	GREASER DIN71412-A	1
003	718.08000.66	NUT	8

GAS ACCELERATOR PEDAL

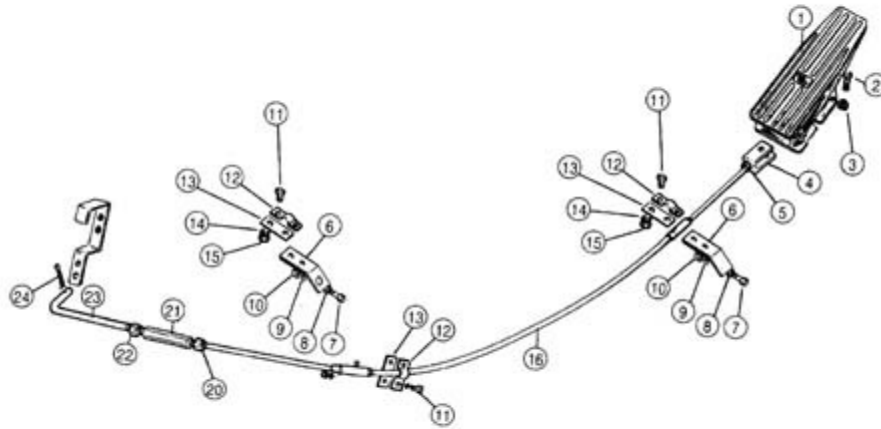


FIGURE	REFERENCE	DENOMINATION	AMOUNT
001	43.70127.00	ACCEL. PEDAL	1
002	603.08015.86	SCREW DIN933 M8x15	2
003	701.08000.66	NUT DIN934 M8X1,25	2
004	60.06101.00	ACC. FORK	1
005	701.05000.66	NUT DIN934 M5x0.8	1
006	43.10710.00	BRACKET ANG.	2
007	603.06025.86	SCREW DIN933 M6x25	2
008	101.06000.66	WASHER DIN125 D6	2
009	104.06000.00	WASHER DIN7980 D6	2
010	701.06000.66	NUT DIN934 M6X1	2
011	603.05015.86	SCREW DIN933	4
012	54.12261.01	CLAMP	2
013	54.12261.02	STRIP SUPPORT	2
014	104.05000.00	WASHER DIN7980 D5	4
015	701.05000.66	NUT DIN934 M5x0.8	4
016	60.06100.00	ACCEL. CABLE	1

020	701.05000.66	NUT DIN934 M5x0.8	1
021	54.00133.00	NUT	1

GAS

ACCELERATOR PEDAL

FIGURE	REFERENCE	DENOMINATION	AMOUNT
022	01.00138.00	NUT	1
023	16.00146.00	ROD L6	1
024	401.02025.60	PIN DIN94 2x25	1

BRAKES

BRAKE INSTALLATION

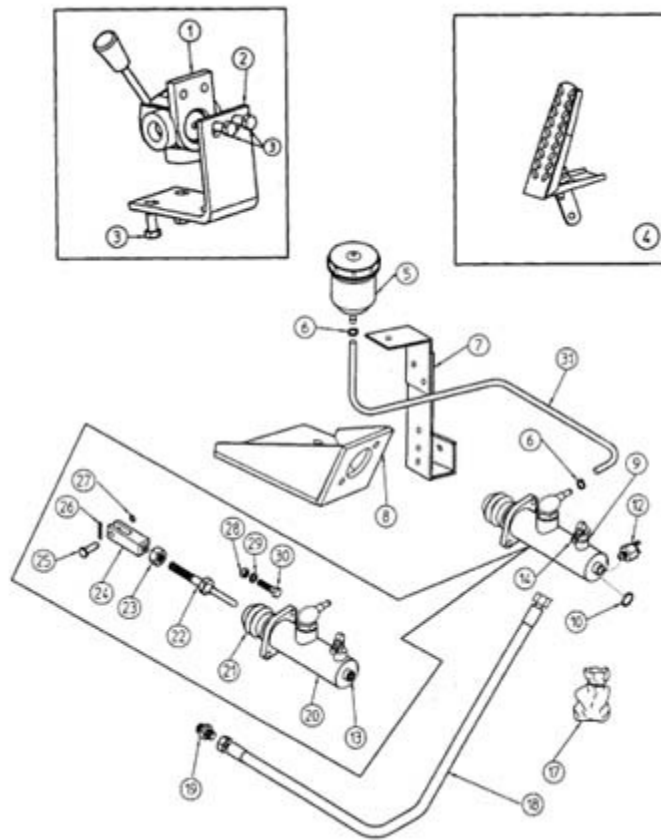


FIGURE	REFERENCE	DENOMINATION	AMOUNT
001	43.10755.02	BALL VALVE 3/8 G CENTRO CE	1
002	60.13115.00	STRIP SUPPORT	1
003	603.08020.86	SCREW DIN933 M8x20	4
004	43.80250.01	PEDAL EMBR. 55X116X250	1
005	43.00751.01	BRAKING LIQUID TANK	1
006	912.09000.66	CLAMP	2
007	60.08220.01	STRIP SUPPORT	1
008	60.08274.01	BRAKE PUMP SUPPORT	1
009	106.12000.20	WASHER CU	1
010	28.00343.00	GASKET MET. BUNA	1
012	43.01520.00	BRAKE FLUID SWITCH	1
014	43.50704.00	ELBOW C90MM NIPPLE	1
017	55.00770.03	GASKET SET	1
018	60.13200.02	HOSE R1T1/4	1
019	52.01441.00	NIPPLE M/M	1
020	60.00747.00	BRAKE PUMP	1

021	55.00769.01	DUST EXCLUDER	1
022	43.00577.00	ROD STRAIGHT R7/16	1

BRAKES

BRAKE INSTALLATION

FIGURE	REFERENCE	DENOMINATION	AMOUNT
023	01.01304.00	NUT	1
024	01.00564.01	ART. FORK	1
025	01.00514.01	AXLE CIL/CPA 14x8x28	1
026	401.02025.60	PIN DIN94 2x25	1
027	101.08000.66	WASHER DIN125 D8	2
028	701.08000.66	NUT DIN934 M8X1,25	2
029	104.08000.00	WASHER DIN7980 D8	2
030	603.08030.86	SCREW DIN933 M8X30	1
031	43.00750.00	TUBO PLAS. TRANS. 6x9x670	1

STEERING

STEERING

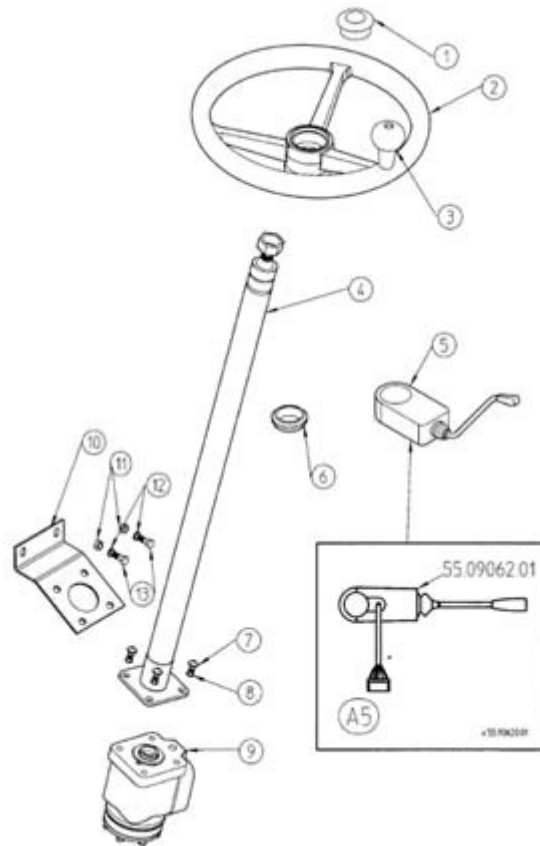


FIGURE	REFERENCE	DENOMINATION	AMOUNT
001	00.00626.03	TRIM	1
002	15.01016.01	STEERING WHEEL D21-315 WITH POMMEL	1
003	15.10160.01	KNOB	1
004	55.10680.00	STEERING COLUMM	1
005	55.90620.01	CONMUTATOR	1
005	55.90620.01	CONMUTATOR	1
006	15.20727.00	NYLON BEARING 16x38x52	1
007	630.10030.96	SCREW ISO7380 M10x30	4
008	104.10000.00	WASHER DIN7980 D10	4
009	60.10030.00	STEERING VALVE	1
010	60.09822.00	STEERING SUPPORT	1
011	701.08000.66	NUT DIN934 M8X1,25	2
012	104.08000.00	WASHER DIN7980 D8	2
013	603.08020.86	SCREW DIN933 M8x20	2

STEERING

STEERING

CHASSIS: 63390

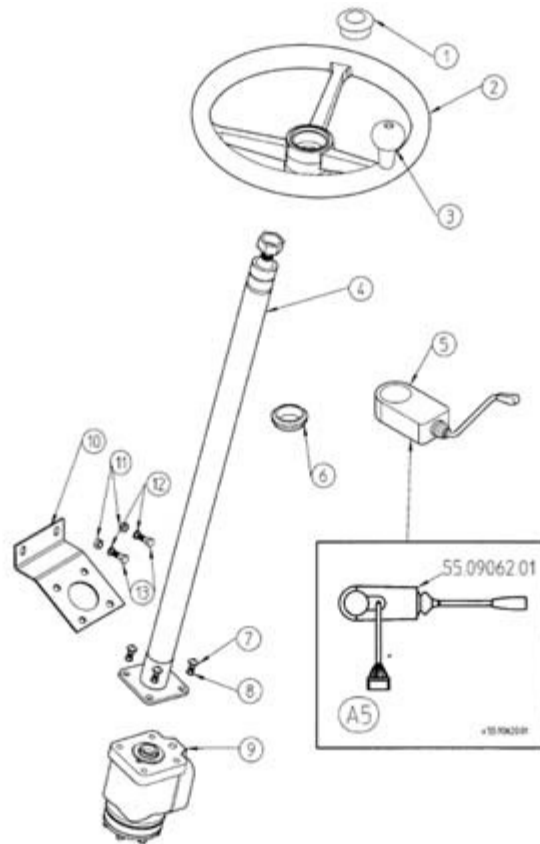


FIGURE	REFERENCE	DENOMINATION	AMOUNT
001	00.00626.05	TRIM	1
002	15.01016.01	STEERING WHEEL D21-315 WITH POMMEL	1
003	15.10160.01	KNOB	1
004	55.10680.00	STEERING COLUMM	1
005	55.90620.01	CONMUTATOR	1
005	55.90620.01	CONMUTATOR	1
006	15.20727.00	NYLON BEARING 16x38x52	1
007	630.10030.96	SCREW ISO7380 M10x30	4
008	104.10000.00	WASHER DIN7980 D10	4
009	60.10030.00	STEERING VALVE	1
010	60.09822.00	STEERING SUPPORT	1
011	701.08000.66	NUT DIN934 M8X1,25	2
012	104.08000.00	WASHER DIN7980 D8	2
013	603.08020.86	SCREW DIN933 M8x20	2

STEERING

STEERING CYLINDER MOUNTING REAR AXLE

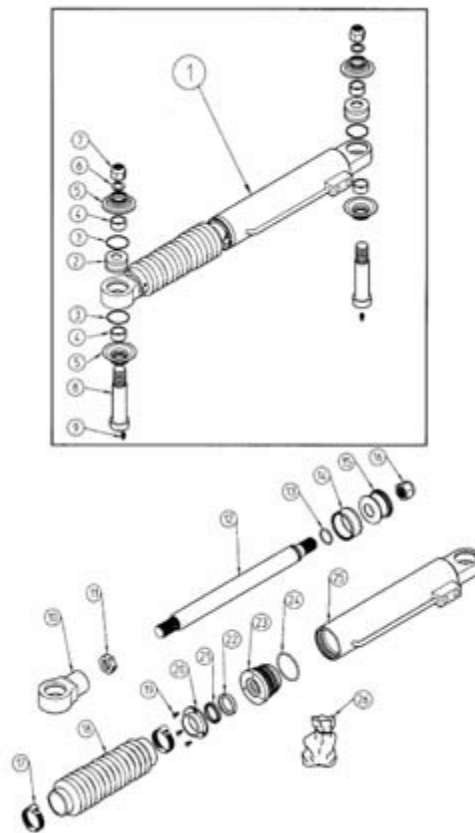


FIGURE	REFERENCE	DENOMINATION	AMOUNT
001	60.05000.01	CYLINDER D/E	1
002	941.25028.00	BUSHING	2
003	914.47000.00	RING 0,5 MM.	3
004	60.11396.01	BUSH	4
005	60.05510RE01	DUST EXCLUDER	4
006	101.22000.66	WASHER DIN125	2
007	720.22000.66	NUT	2
008	60.01396.01	SHAFT CAS/CAS	2
009	901.08000.33	GREASER DIN71412-A M8x1,25	2
010	60.01115.00	SOPORTE REGULADOR CILINDRO	1
011	54.01117.00	NUT	1
012	60.51157.00	SPINDLE	1
013	201.02835.50	O-RING DIN3770	2
014	207.63028.50	GASKET	2
015	53.01161.00	EMBOLO CIL.	1
016	720.27000.66	NUT	1

017	920.50000.66	CLAMP	2
018	60.05500.00	DUST EXCLUDER	1

STEERING

STEERING CYLINDER MOUNTING REAR AXLE

FIGURE	REFERENCE	DENOMINATION	AMOUNT
019	624.05010.86	SCREW DIN963	2
020	60.01164.00	SOP. RESORTE 15x43x68	1
021	228.03606.50	WIPER RING	1
022	229.03610.50	COLLARIN 36X46X10	1
023	42.20330.01	GUIA VASTAGO 36x75x55 CIL	1
024	201.58003.50	O-RING DIN3770	1
025	60.51159.11	CUERPO CIL. 63x350 COMP.	1
026	60.99100.00	GASKET SET	1

07. WHEELS

WHEEL 300-350-400 AH/AHG

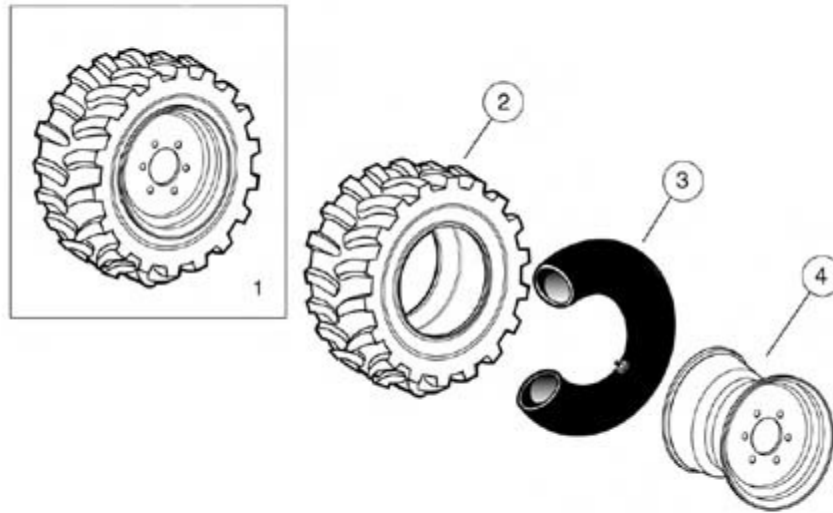


FIGURE	REFERENCE	DENOMINATION	AMOUNT
001	15.00901DE05	WHEEL RIM	2
001	15.00901IZ05	WHEEL RIM	2
002	16.00913.02	AT TYRE 10.0/75-15.3 x 10P	4
003	15.00912.01	TUBE	4
004	43.00911.00	WHEEL RIM	4

07. WHEELS

WHEEL U.K. VERSION (1)

CHASSIS: 38555

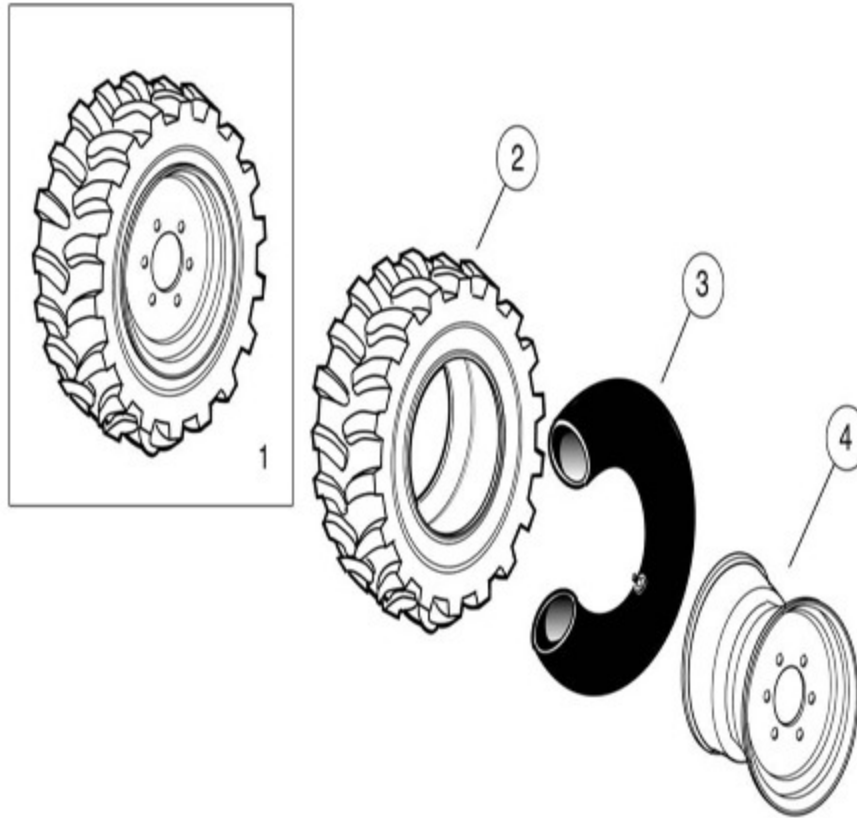


FIGURE	REFERENCE	DENOMINATION	AMOUNT
001	43.00904DE00	WHEEL RIM	2
001	43.00904IZ00	WHEEL RIM	2
002	43.00905.00	CUBIERTA TT 15,3 x14PR 11.5/	4
003	43.00912.00	TUBE	4
004	43.00911.00	WHEEL RIM	4

COMMENTS

U.K. Version.

BODY

COVERS AND PROTECTORS

CHASSIS: 35649

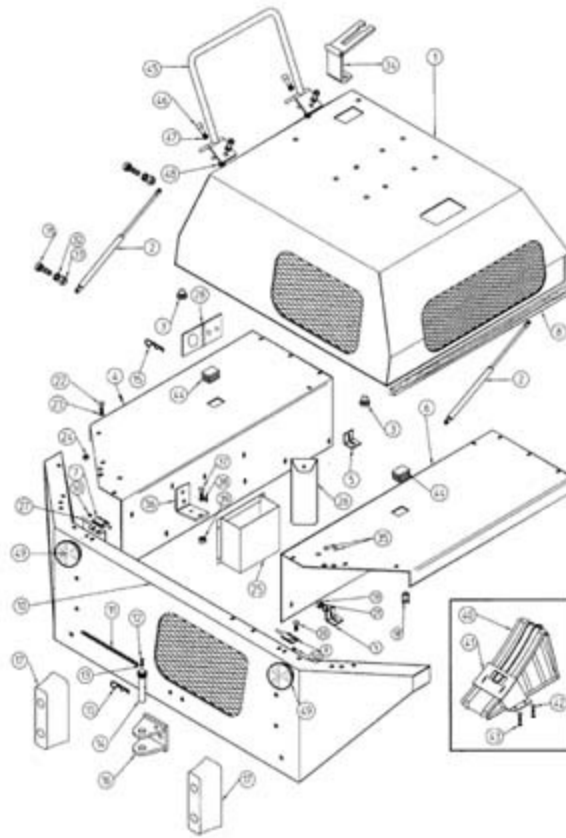


FIGURE	REFERENCE	DENOMINATION	AMOUNT
001	60.00755.04	COVER	1
002	58.10234.01	SHOCK ABSORVER	2
003	60.01926.00	RUBBER TOP 20X8.5 M6X165	2
004	60.10752.04	MUDGUARD	1
005	15.01993.00	BRACKET ANG.	4
006	60.11752.03	MUDGUARD	1
007	60.01755.00	HINGE	1
008	15.38237.00	PERFIL GOMA 16x23x2580	1
009	60.02755.00	HINGE	1
010	60.00823.04	COVER	1
011	15.00834.00	CHAIN	1
012	603.06015.86	SCREW DIN933 M6x15	1
013	104.06000.00	WASHER DIN7980 D6	1
014	15.00835.00	AXLE CPA/GRA 25x30x135	1
015	15.00836.00	PIN DIN11024 R4	1
016	15.08262.01	STRIP SUPPORT	1

017	60.01923.00	BUTT	2
018	15.00836.01	PIN DIN11024	2

BODY
COVERS AND PROTECTORS
 CHASSIS: 35649

FIGURE	REFERENCE	DENOMINATION	AMOUNT
019	711.08000.66	NUT DIN982 M8	4
020	603.08020.86	SCREW DIN933 M8x20	4
021	101.08000.66	WASHER DIN125 D8	8
022	630.08020.96	SCREW ISO7380	12
023	112.08000.66	WASHER DIN9021 D8	12
024	701.08000.66	NUT DIN934 M8X1,25	12
025	60.11830.00	TOOLS BOX	1
026	01.00036.02	TOOLS-BAG	1
027	60.02823.00	RUBBER TUBE BRACKET	1
028	60.11321.00	LATCH	1
031	603.06020.86	SCREW DIN933 M6x20	2
032	104.06000.00	WASHER DIN7980 D6	2
033	711.06000.66	NUT DIN982 M6	2
034	60.01452.01	HINGE	1
035	02.32016.00	CAP	2
036	43.40825.00	BRACKET ANG.	1
037	603.08020.86	SCREW DIN933 M8x20	4
038	104.08000.00	WASHER DIN7980 D8	4
039	701.08000.66	NUT DIN934 M8X1,25	4
040	60.01461.00	CASING	1
041	60.01462.00	ESTRIBO 30x120x140 CALZO RUEDA	1
042	630.08020.96	SCREW ISO7380	4
043	701.08000.66	NUT DIN934 M8X1,25	4
044	60.12237.00	CAP	2
045	60.11250.00	KNOB	1
046	630.08025.96	SCREW ISO7380	4
047	104.08000.00	WASHER DIN7980 D8	4
048	701.08000.66	NUT DIN934 M8X1,25	4
049	46.01532.00	RED REFLECTOR	2
050	901.06000.33	GREASER DIN71412-A	2

08. BODYWORK

ENGINE PROTECTOR

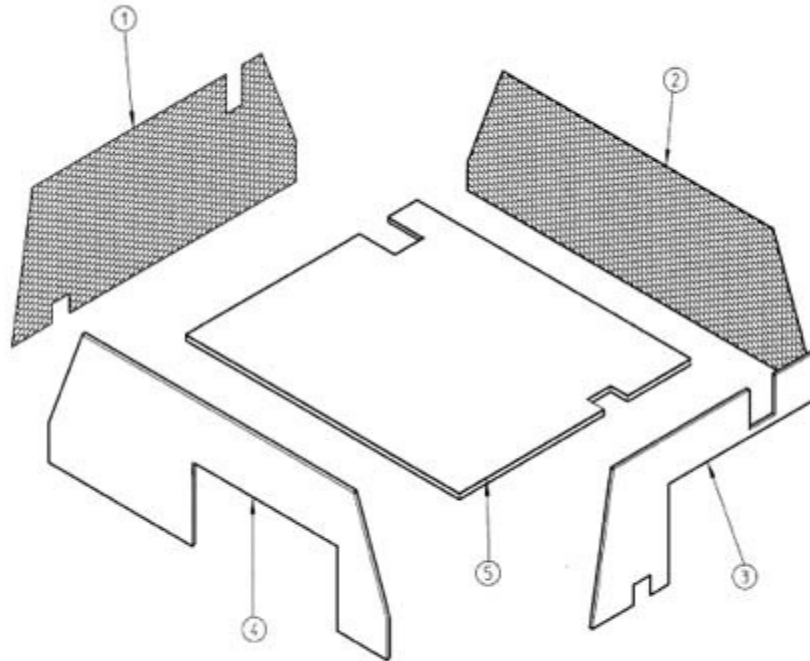


FIGURE	REFERENCE	DENOMINATION	AMOUNT
001	60.11701.01	PROT. MOTOR 371X836	1
002	60.11704.00	PROT. MOTOR 352X1000	1
003	60.11702.00	PROT. MOTOR 371X661	1
004	60.11700.00	PROT. MOTOR 371X994	1
005	60.11703.00	PROT. MOTOR 677X801	1

BODY

STEERING SUPPORT

CHASSIS: 35649

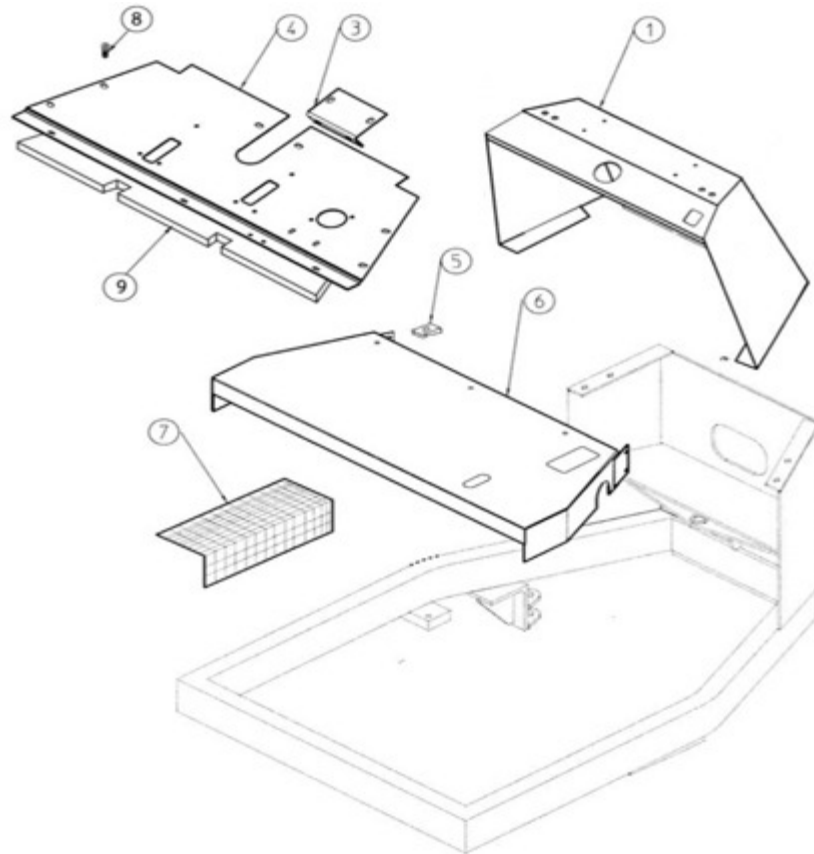


FIGURE	REFERENCE	DENOMINATION	AMOUNT
001	60.00753.02	STEERING SUPPORT	1
003	60.09823.00	SUPPORT PLATE	1
004	60.00757.04	PLATE	1
005	727.06004.86	CAGED NUT M6x4	3
006	60.00754.04	PLATE	1
007	45.01465.00	SUPLEMENTO ANTIDESLIZ. 100X200	2
008	615.04015.66	SCREW DIN84 M4x15	8
009	60.11708.00	PROTECTOR CHAP.PIES 410X760X10	1

BODY**SEAT**

CHASSIS: 30339



FIGURE	REFERENCE	DENOMINATION	AMOUNT
001	01.00706.07	DRIVER S SEAT	1
002	630.10020.96	SCREW ISO7380 M10x20	4
003	104.10000.00	WASHER DIN7980 D10	4
004	701.10000.66	NUT DIN934 M10x1.5	4
005	711.10000.66	SHOCK ABSORBER	4
006	45.60002.01	BELT	1

08. BODYWORK

DRIVER PROTECTOR ROOF

CHASSIS: 37045

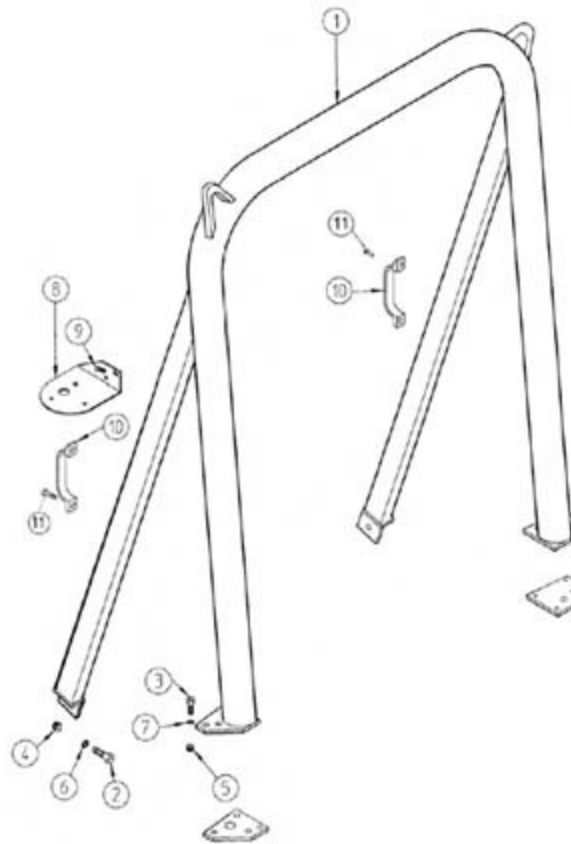


FIGURE	REFERENCE	DENOMINATION	AMOUNT
001	60.08237.06	PROTECTOR	1
002	604.14050.86	SCREW DIN931	2
003	604.12055.86	SCREW DIN931	6
004	701.14000.66	NUT DIN934 M14x2	2
005	701.12000.66	NUT DIN934 M12x1.75	6
006	104.14000.00	CIR-CLIP EXT. DIN7980	2
007	104.12000.00	WASHER DIN7980 D12	6
008	01.00926.02	BRACKET ANG.	1
009	603.06020.86	SCREW DIN933 M6x20	2
010	46.09991.00	KNOB	2
011	615.04015.66	SCREW DIN84 M4x15	8

MACHINE OPERATION TOOLS

ROTATING HOPPER SUPPORT

CHASSIS: 31970

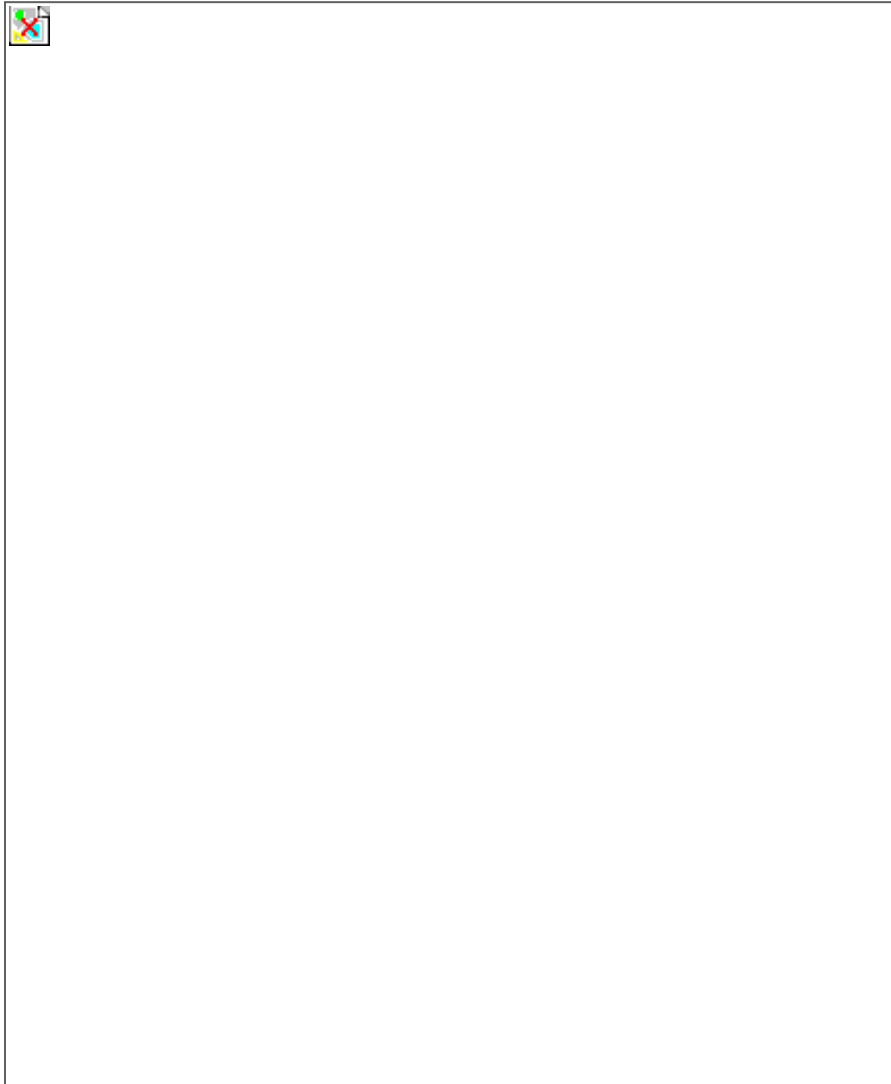


FIGURE	REFERENCE	DENOMINATION	AMOUNT
001	55.01110.24	SUPPORT ART.	1
002	604.18090.86	SCREW DIN931 M18x90	8
003	904.35000.00	RING 0,5 MM.	2
004	101.36000.66	WASHER DIN125	2
005	15.08141.00	BEARING	4
006	901.08000.33	GREASER DIN71412-A M8x1,25	2
007	55.00125.01	CROWN	1
008	604.16075.86	SCREW DIN931 M16x75	6
009	701.16000.66	NUT	6
010	701.18000.66	NUT	8
011	601.18060.86	SCREW DIN912	2

014	60.10902.00	REINFORCEMENT	2
015	60.10903.00	GUARD	2
016	08.00107.00	BUTT	2
017	701.05000.66	NUT DIN934 M5x0.8	4
018	60.11035.00	SHOCK ABSORVER	4
019	60.10800.03	Chassis	1
020	15.00835.02	AXLE CIL/CPA	1
021	701.05000.66	NUT DIN934 M5x0.8	1
022	603.06015.86	SCREW DIN933 M6x15	1
023	09.11075.00	AXLE SUPPORT	1
024	15.00834.01	CHAIN	1
025	15.00836.00	PIN DIN11024 R4	1
026	603.10035.86	SCREW DIN933 M10x35	4
027	104.10000.00	WASHER DIN7980 D10	4
028	60.03560.00	FIXATION HOPPER	1
029	60.03565.00	REGUL SPACER	5
030	711.10000.66	SHOCK ABSORBER	4

MACHINE OPERATION TOOLS

HOPPER

CHASSIS: 27977

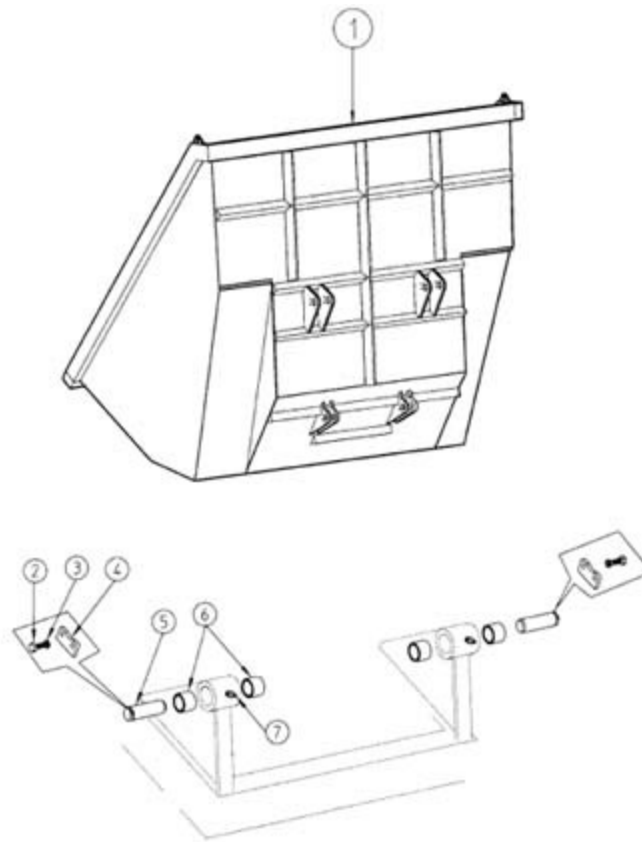


FIGURE	REFERENCE	DENOMINATION	AMOUNT
001	60.08300.02	SKIP	1
002	603.06015.86	SCREW DIN933 M6x15	4
003	104.06000.00	WASHER DIN7980 D6	4
004	15.00832.00	PANEL	2
005	15.00831.00	SHAFT CIL/COA	2
006	15.08141.00	BEARING	4
007	901.08000.33	GREASER DIN71412-A M8x1,25	2

HYDRAULIC INSTALLATION ACTIONAMENT AH

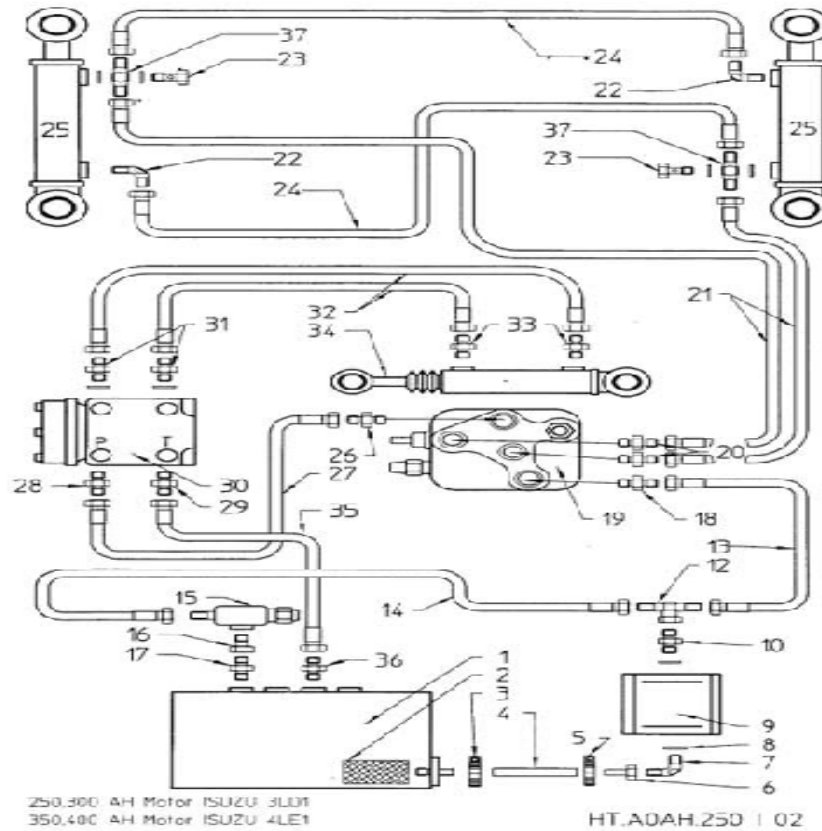


FIGURE	REFERENCE	DENOMINATION	AMOUNT
001	60.01430.05	TANK	1
002	08.00360.01	OIL FILTER	1
004	60.13100.00	TUBO GOMA B/P D20XD30X900	1
006	47.01428.00	TUBE MET.	1
007	45.01424.00	ELBOW C90MO/M NIPPLE	1
009	15.01157.00	HYDR. PUMP (ISUZU)	1
010	08.00313.00	FITTING M/M 1/2 G-3/8 G	1
012	08.60080.00	THREE-WAY UNION M/TL/M	1
013	51.01442.00	HOSE R2T1/2	1
014	15.01352.00	HOSE R2T1/2	1
015	47.01469.00	VALVE	1
016	60.13016.00	NIPPLE M/TL	1
017	08.00313.00	FITTING M/M 1/2 G-3/8 G	1
018	08.00313.00	FITTING M/M 1/2 G-3/8 G	1
019	09.00330.00	CONTROL VALVE 1E	1
020	08.00319.00	NIPPLE M/M	2

021	60.13535.00	TUBO R1T3/8 TL3/8-TL3/8-5350	2
022	43.01453.00	ELBOW C90M/M NIPPLE	2

HYDRAULIC INSTALLATION ACTIONAMENT AH

FIGURE	REFERENCE	DENOMINATION	AMOUNT
023	08.00315.00	NIPPLE SCREW SIM.	2
024	10.00698.00	HOSE R1T3/8	1
025	08.00500.11	CYLINDER D/E	2
026	08.00313.00	FITTING M/M 1/2 G-3/8 G	1
027	60.13550.00	HOSE R2T1/2	1
028	43.01425.00	FITTING M/M 1/2G-1/2G	1
029	52.01451.00	NIPPLE M/M 1/2 G-1,1/16 JIC	1
030	60.10030.00	STEERING VALVE	1
031	08.00313.00	FITTING M/M 1/2 G-3/8 G	2
032	10.11428.00	HOSE R1T3/8	2
033	19.00720.00	NIPPLE M/M	2
034	60.05000.01	CYLINDER D/E	1
035	55.01307.00	HOSE RUBBER L/P	1
036	52.01451.00	NIPPLE M/M 1/2 G-1,1/16 JIC	1
037	15.01223.00	NIPPLE O/M/M	1

HYDRAULIC INSTALLATION

ACTIONAMENT 250-300 AH/AHG

CHASSIS: 35863

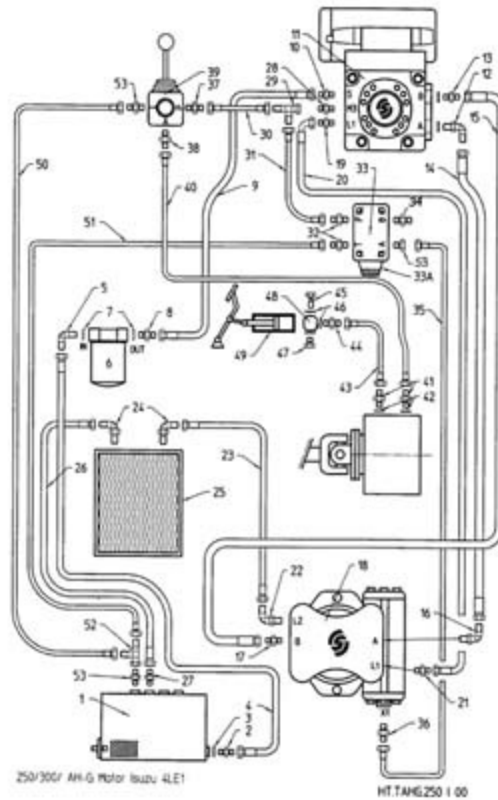


FIGURE	REFERENCE	DENOMINATION	AMOUNT
001	60.01430.05	TANK	1
002	43.70446.00	NIPPLE M/M	1
003	43.13444.00	GASKET MET. BUNA	1
004	60.01370.00	HOSE R1T1	1
005	60.51620.00	ELBOW C90M/M NIPPLE	1
006	60.20101.00	COMPLETE OIL FILTER	1
007	52.00317.00	GASKET	2
008	58.01446.00	NIPPLE M/M	1
009	60.01300.00	HOSE R1T1	1
010	60.11612.00	NIPPLE M/M	1
011	60.13150.01	HYDR. PUMP	1
012	60.61612.00	ELBOW C90M/M NIPPLE	1
013	60.11612.00	NIPPLE M/M	1
014	60.13030.00	HOSE R9T3/4	1
015	60.01070.00	"TUB R9T3/4"1070-1"5/16C90-1"	1
016	60.61616.00	ELBOW C90M/M NIPPLE	1

017	60.11616.00	NIPPLE M/M	1
018	60.13151.00	HYDRAULIC ENGINE	1

HYDRAULIC INSTALLATION

ACTIONAMENT 250-300 AH/AHG

CHASSIS: 35863

FIGURE	REFERENCE	DENOMINATION	AMOUNT
019	60.11212.00	NIPPLE M/M	1
020	55.01305.00	HOSE RUBBER L/P	1
021	60.11212.00	NIPPLE M/M	1
022	60.61212.00	ELBOW C90MO/M NIPPLE	1
023	60.01480.00	TUBE R1T3/4` 1480-1`1/16C90-1`	1
024	55.01446.00	ELBOW C90M/M NIPPLE	2
025	55.13151.00	RADIATOR	1
026	55.01301.00	"HOSE R4T 3/4" "	1
027	52.01442.00	FITTING M/M M22x1.5-1.1/16` JIC	1
028	43.02710.00	NIPPLE M/M	1
029	60.13006.00	THREE-WAY UNION M/M/TL	1
030	60.13206.00	HOSE R1T1/4	1
031	60.00325.00	HOSE R1T1/4	1
032	45.01454.00	NIPPLE M/M	2
033	43.70121.00	ELECTROVALVULA	1
033	43.70122.00	PLACA REPARTIDORA 60X60	1
034	60.00802.00	CAP	1
035	60.00325.00	HOSE R1T1/4	1
036	43.02710.00	NIPPLE M/M	1
037	45.01454.01	NIPPLE M/M	2
038	43.11476.00	NIPPLE M/M	1
039	43.10755.02	BALL VALVE 3/8 G CENTRO CE	1
040	60.13460.00	HOSE R1T1/4	1
041	52.01441.00	NIPPLE M/M	2
042	106.12000.20	WASHER CU	2
043	60.13200.00	TUBO R1T1/4 2100-7/16C45-1/2T	1
044	43.50755.27	NIPPLE M/M	1
045	55.00757.20	NIPPLE SCREW SIM.	1
046	106.12000.20	WASHER CU	2
047	15.07780.00	SCREW DIN910*	1
048	55.00758.00	NIPPLE	1
049	55.00770.20	BRAKE PUMP	1



050	60.13206.00	HOSE R1T1/4	1
051	60.00325.00	HOSE R1T1/4	1
052	60.13006.00	THREE-WAY UNION M/M/TL	1
053	45.01454.01	NIPPLE M/M	1

HYDRAULIC INSTALLATION

TRANSMISSION

CHASSIS: 35589

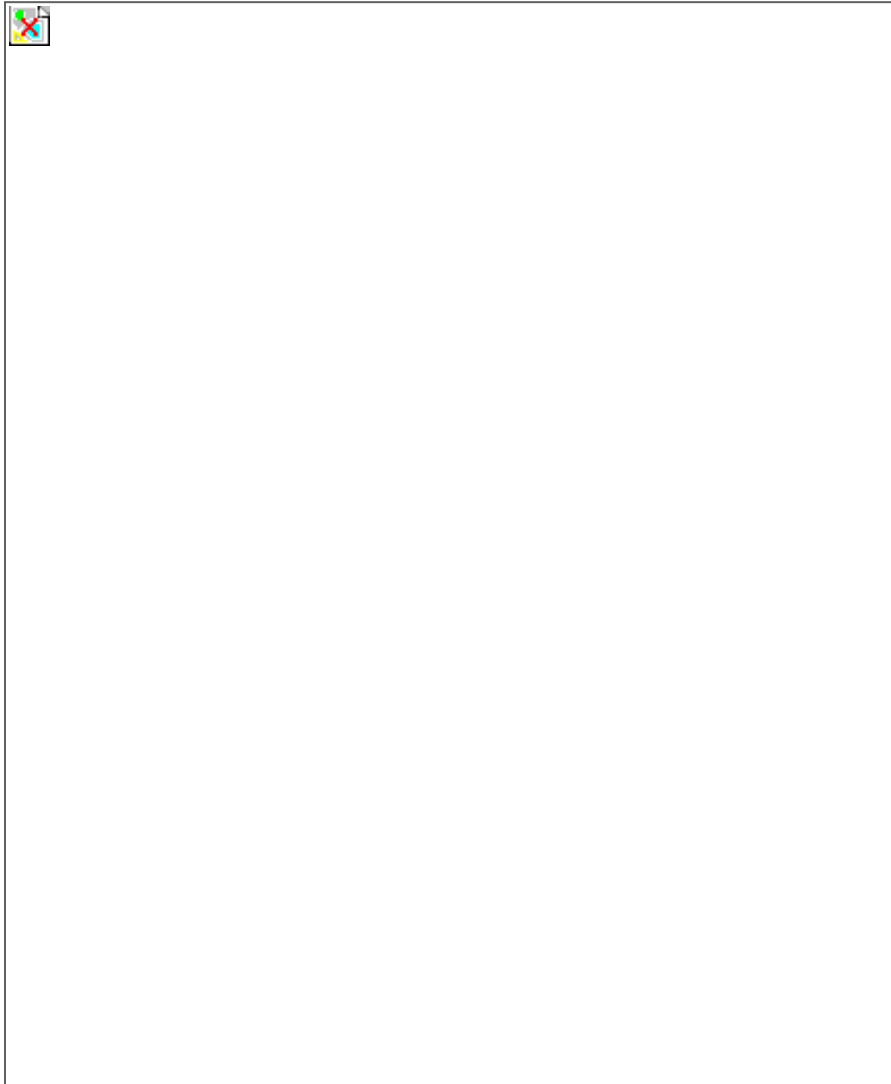


FIGURE	REFERENCE	DENOMINATION	AMOUNT
001	60.01430.05	TANK	1
002	43.70446.00	NIPPLE M/M	1
003	43.13444.00	GASKET MET. BUNA	1
004	60.01370.00	HOSE R1T1	1
005	60.51620.00	ELBOW C90M/M NIPPLE	1
006	60.20101.00	COMPLETE OIL FILTER	1
008	58.01446.00	NIPPLE M/M	1
009	60.01300.00	HOSE R1T1	1
010	60.11612.00	NIPPLE M/M	1
011	60.71492.01	HYDR. PUMP	1
012	60.11612.00	NIPPLE M/M	1

013	60.11612.00	NIPPLE M/M	1
014	43.70932.00	"HOSE R10T 3/4"" "	1
015	60.13901.00	"HOSE R10T 3/4"" "	1
016	201.33035.50	O-RING DIN3770	2
017	52.01493.00	"BRIDA. 6000 PSI 1"""	2
018	607.11040.86	SCREW DIN933	4
020	60.01480.00	TUBE R1T3/4` 1480-1`1/16C90-1`	1
021	60.11212.00	NIPPLE M/M	1
022	60.61212.00	ELBOW C90MO/M NIPPLE	1
023	60.01480.00	TUBE R1T3/4` 1480-1`1/16C90-1`	1
024	55.01446.00	ELBOW C90M/M NIPPLE	1
025	55.13151.00	RADIATOR	1
026	55.01301.00	"HOSE R4T 3/4"" "	1
027	52.01442.00	FITTING M/M M22x1.5-1.1/16` JIC	1
029	43.02710.00	NIPPLE M/M	1
030	60.13206.00	HOSE R1T1/4	1
031	45.01454.00	NIPPLE M/M	2
032	43.11476.00	NIPPLE M/M	1
033	43.10755.02	BALL VALVE 3/8 G CENTRO CE	1
034	60.13460.00	HOSE R1T1/4	1
035	52.01441.00	NIPPLE M/M	2
036	106.12000.20	WASHER CU	2
037	60.13200.02	HOSE R1T1/4	1
038	106.10000.20	WASHER CU 10x16x1,5 DIN7603A	1
039	28.00343.00	GASKET MET. BUNA	1

HYDRAULIC INSTALLATION

TRANSMISSION

CHASSIS: 35589

FIGURE	REFERENCE	DENOMINATION	AMOUNT
040	43.50704.00	ELBOW C90M/M NIPPLE	1
041	80.01090.00	CAP	1
042	45.01454.01	NIPPLE M/M	1
043	60.00747.00	BRAKE PUMP	1
044	60.13206.00	HOSE R1T1/4	1
045	45.01454.00	NIPPLE M/M	1
046	60.71490.00	HYDRAULIC ENGINE	11

HYDRAULIC INSTALLATION DISTRIBUTOR

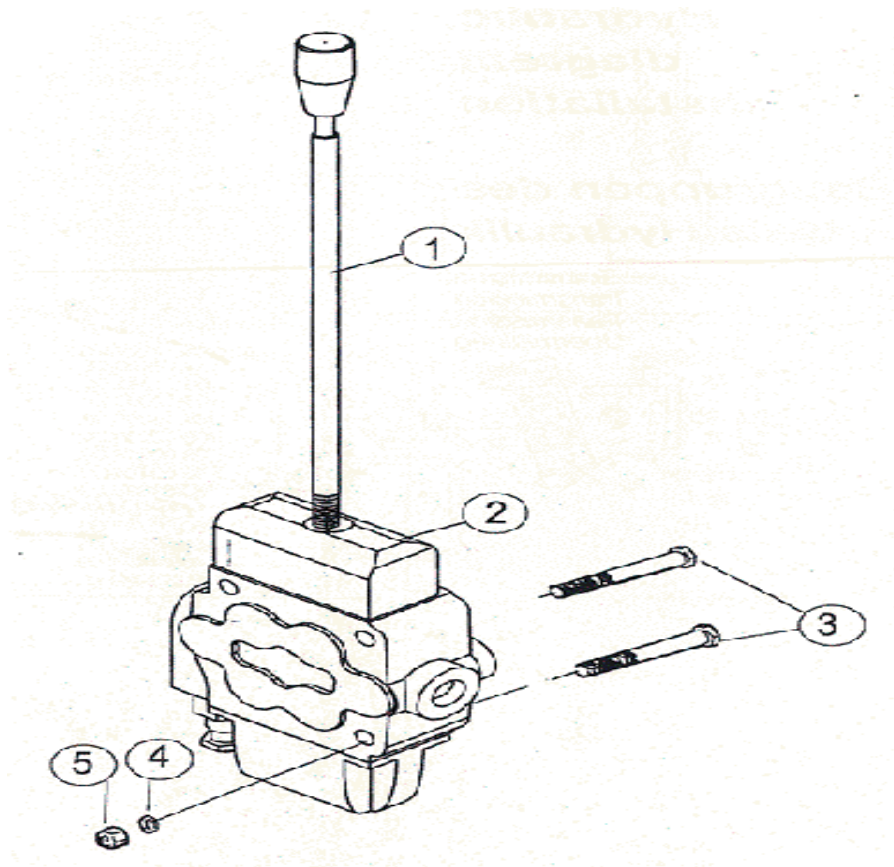


FIGURE	REFERENCE	DENOMINATION	AMOUNT
001	60.01451.01	ROD	1
002	09.00330.00	CONTROL VALVE 1E	1
003	604.08070.86	SCREW DIN931	3
004	104.08000.00	WASHER DIN7980 D8	3
005	701.08000.66	NUT DIN934 M8X1,25	3

HYDRAULIC INSTALLATION

OIL TANK

CHASSIS: 32274

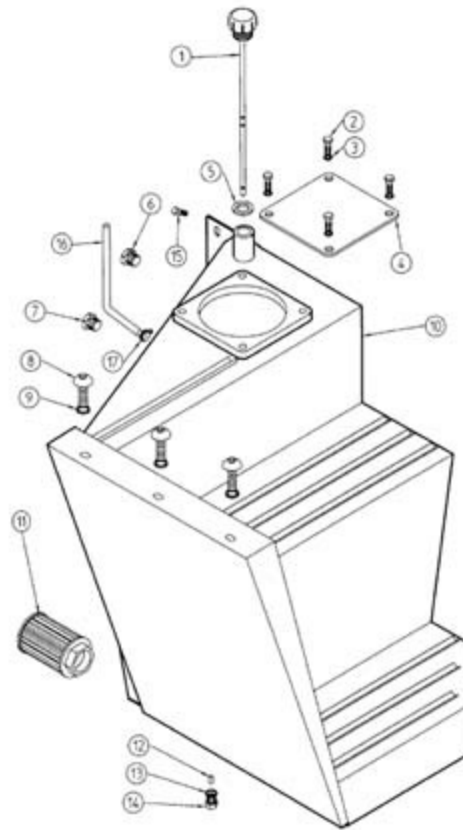


FIGURE	REFERENCE	DENOMINATION	AMOUNT
001	09.00631.00	ROD OIL LEVEL	1
002	603.10025.86	SCREW DIN933 M10x25	4
003	104.10000.00	WASHER DIN7980 D10	4
004	60.11460.01	FLANGE	1
005	08.00316.01	GASKET MET. BUNA	1
006	45.10803.10	CAP M22x1,5	1
007	52.01451.00	NIPPLE M/M 1/2 G-1,1/16 JIC	2
008	630.08020.96	SCREW ISO7380	3
009	112.08000.66	WASHER DIN9021 D8	6
010	60.01430.05	TANK	1
011	08.00360.01	OIL FILTER	1
012	01.00335.00	MAGNET	1
013	107.14000.10	WASHER AL 14x20x1.5	1
014	00.02803.00	SCREW DIN910*	1
015	630.08025.96	SCREW ISO7380	3
016	15.10750.00	TUBO PLAS. TRANS. D6xD9x300	1



017

948.01107.00

CLAMP SPRING

1

HYDRAULIC INSTALLATION OIL TANK

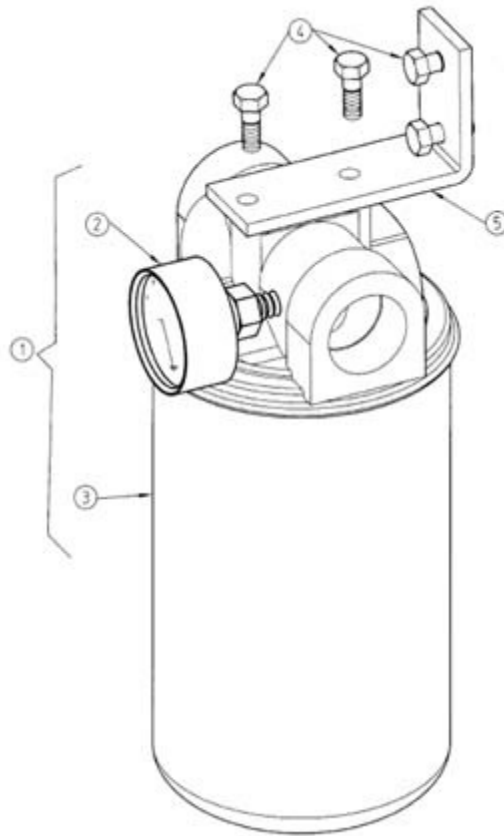


FIGURE	REFERENCE	DENOMINATION	AMOUNT
001	60.20101.00	COMPLETE OIL FILTER	1
002	60.20102.00	INDICATOR	1
003	60.20100.00	FILTER ELEMENT	1
004	603.08020.86	SCREW DIN933 M8x20	4
005	43.40825.00	BRACKET ANG.	1

HYDRAULIC INSTALLATION

DUMPING CYLINDER 250/300/350 AH

CHASSIS: 31991

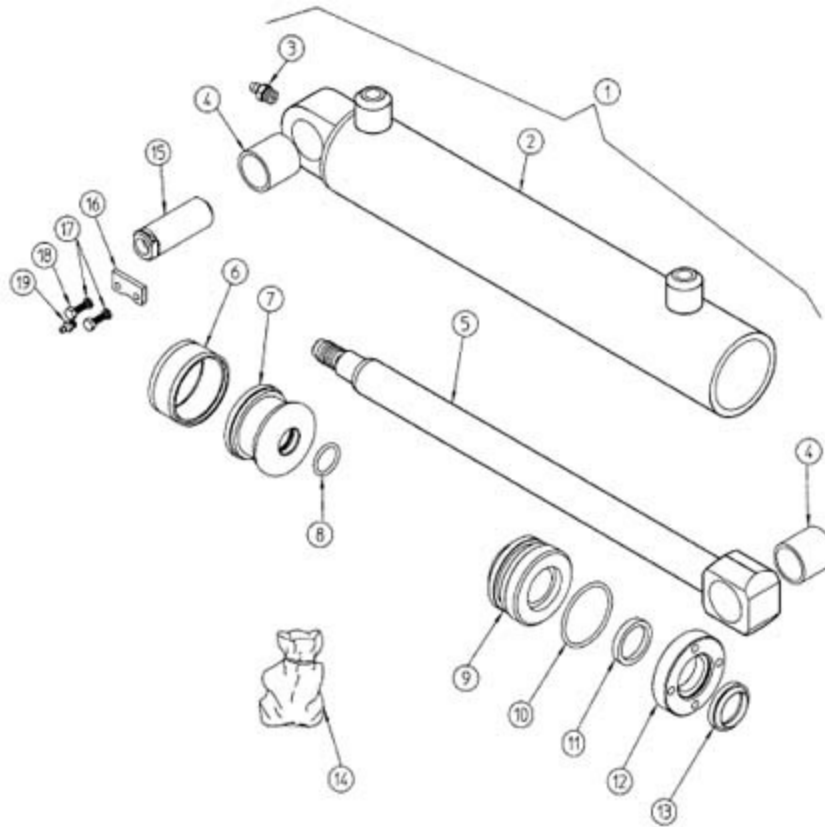


FIGURE	REFERENCE	DENOMINATION	AMOUNT
001	08.00500.11	CYLINDER D/E	2
002	08.00520.08	CUERPO CIL. 63X476 SOLD.	2
003	901.08000.33	GREASER DIN71412-A M8x1,25	4
004	08.00527.00	BEARING	4
005	08.00525.01	SPINDLE	2
006	207.63028.50	GASKET	2
007	10.01117.00	NUT DIN439	2
008	201.22003.50	O-RING DIN3770	2
009	08.00528.02	GUIDE	2
010	201.05153.50	O-RING DIN3770	2
011	217.30006.50	GASKET DIN6505	2
012	08.00530.01	NUT	2
013	203.30008.50	WIPER RING	2
014	08.99500RE05	GASKET SET	2
015	15.01216.00	SHAFT CIL/COA	2
016	15.00832.00	PANEL	2

017	104.06000.00	WASHER DIN7980 D6	4
018	603.06015.86	SCREW DIN933 M6x15	4

HYDRAULIC INSTALLATION

DUMPING CYLINDER 250/300/350 AH

CHASSIS: 31991

FIGURE	REFERENCE	DENOMINATION	AMOUNT
019	903.08000.33	GREASER DIN71412-B	2
020	101.30000.66	WASHER DIN125 D30	4

HYDRAULIC INSTALLATION

CROWN CYLINDER

CHASSIS: 29848

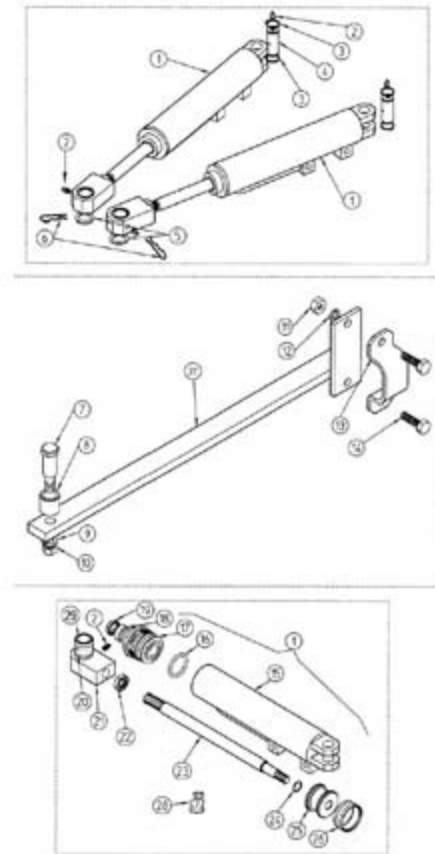


FIGURE	REFERENCE	DENOMINATION	AMOUNT
001	55.00200.05	CYLINDER D/E	2
002	901.08000.33	GREASER DIN71412-A M8x1,25	4
003	904.22000.00	RING 0,5 MM.	4
004	09.10301.00	SHAFT CAS/CAS	2
005	60.11396.02	BUSH	2
006	15.00836.00	PIN DIN11024 R4	2
007	01.00309.00	SCREW DIN933*	2
008	01.00308.00	NYLON BEARING 11X16X15	1
009	104.08000.00	WASHER DIN7980 D8	1
010	701.08000.66	NUT DIN934 M8X1,25	1
011	701.06000.66	NUT DIN934 M6X1	2
012	104.06000.00	WASHER DIN7980 D6	2
013	09.00335.00	CLAMP DIN72573	1
014	603.06020.86	SCREW DIN933 M6x20	2
015	45.01510.02	TUBO CILINDRO COMP.	2
016	201.04705.50	O-RING DIN3770	2

017	19.00220.03	GUIDE	2
018	229.02838.50	GASKET DIN6505	2

HYDRAULIC INSTALLATION

CROWN CYLINDER

CHASSIS: 29848

FIGURE	REFERENCE	DENOMINATION	AMOUNT
019	228.02836.50	WIPER RING	2
020	913.30022.00	BUSHING	4
021	60.01115.02	CYLINDER ROD HEAD	2
022	54.01117.00	NUT	2
023	19.00215.05	SPINDLE	2
024	201.28003.50	O-RING DIN3770	2
025	08.00521.05	EMBOLO	2
026	207.05543.50	JUNTA DSP 55X43	2
027	55.01160.00	STRIP SUPPORT	1
028	55.99200.02	GASKET SET	2
029	914.47000.00	RING 0,5 MM.	4

ELECTRIC INSTALLATION

STARTING

CHASSIS: 30999

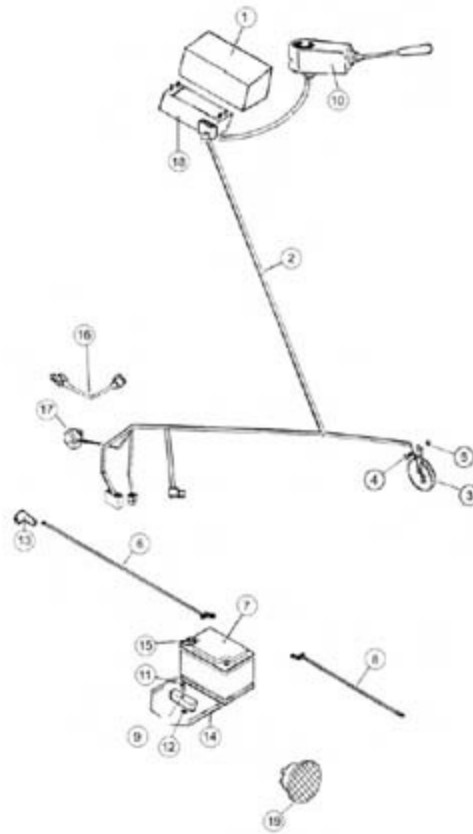


FIGURE	REFERENCE	DENOMINATION	AMOUNT
001	15.45070re00	DASH, PANEL	1
002	55.01450.01	ELECTRICAL CABLE	1
003	00.09034.00	HORN	1
004	603.08015.86	SCREW DIN933 M8x15	1
005	701.08000.66	NUT DIN934 M8X1,25	1
006	16.01442.00	ELECTRICAL CABLE	1
007	15.01411.00	BATTERY 12VX70AH	1
008	15.01444.00	ELECTRICAL CABLE	1
009	20.11101.00	FIXATION SUPPORT 2X10X70	1
010	55.90620.01	CONMUTATOR	1
011	603.06030.86	SCREW DIN933 M6x30	1
012	701.06000.66	NUT DIN934 M6X1	1
013	01.00855.00	ACC. FORK	1
014	58.10825.00	SOP. BATERIA 14x182x294	1
015	46.10002.00	TERMINAL PROTECTOR	1
016	43.06261.00	SENSOR	1

017	43.01530.02	RELAY 40 AMP. 5 CONTAC. 6.3MM	1
018	60.00933.00	SUPPORT PLATE	1

ELECTRIC INSTALLATION

STARTING

CHASSIS: 30999

FIGURE	REFERENCE	DENOMINATION	AMOUNT
019	46.01532.00	RED REFLECTOR	2
020	10.14436.00	PLUG	1

ELECTRIC INSTALLATION

ELECTRIC INSTALLATION

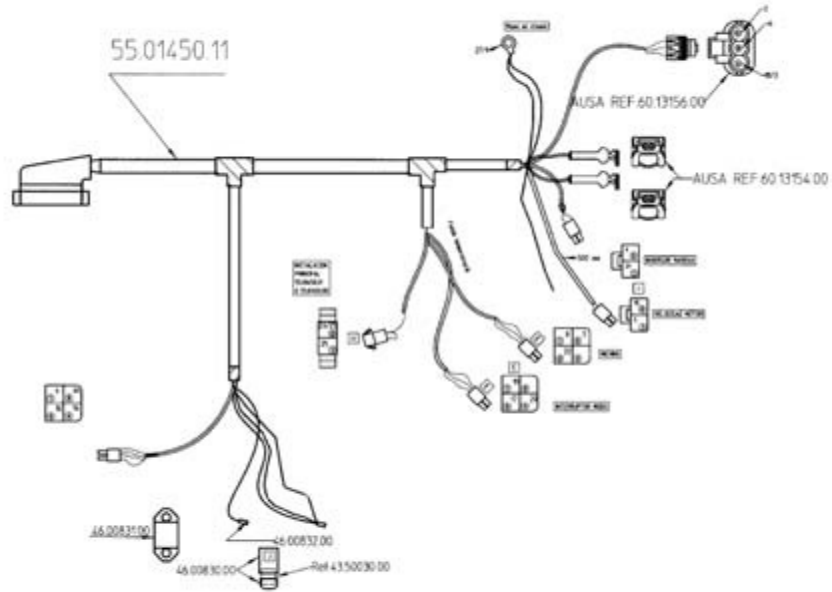


FIGURE	REFERENCE	DENOMINATION	AMOUNT
001	55.01450.00	CABLE ELEC. 65X2000-MOTOR ARRA	1

ELECTRIC INSTALLATION

AUTO CONTROL BOX

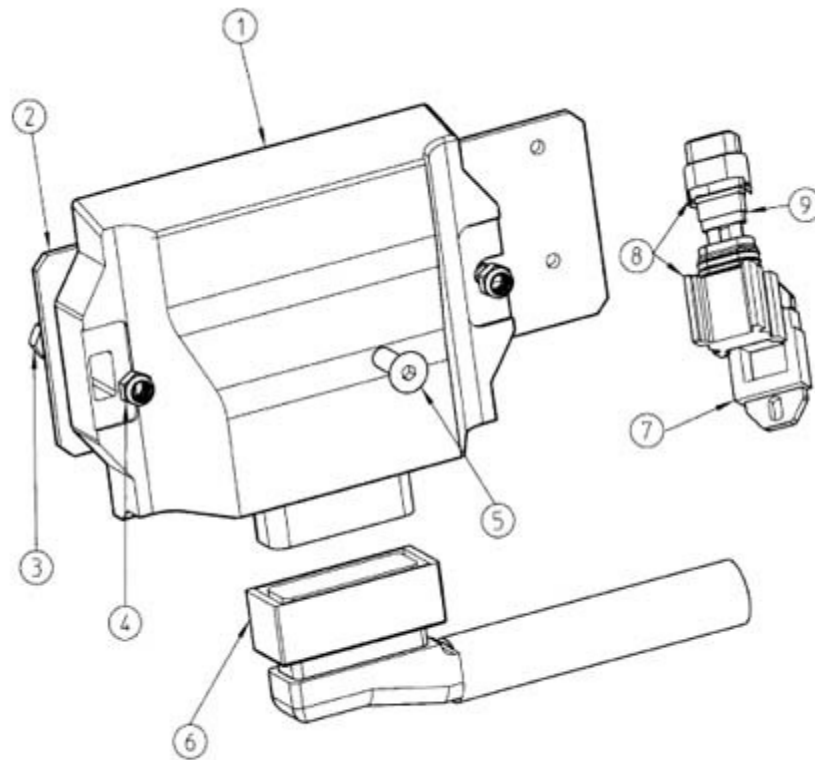


FIGURE	REFERENCE	DENOMINATION	AMOUNT
001	60.31521RE00	BOX CONTROL ELEC. (250-300 AH AHG)	1
002	60.11831.00	STRIP SUPPORT	1
003	604.08040.86	SCREW DIN931	2
004	711.08000.66	NUT DIN982 M8	2
005	618.08020.86	SCREW DIN7991 M8x20	1
006	60.13153.01	PLUG	1
007	46.00831.00	SOP. FIJACION PORTAFUSIBLES	1
008	46.00830.00	PORTAFUSIBLES APILABLE ESTANCO	2
009	43.50032.00	FUSE 15A	1

ELECTRIC INSTALLATION

ELECTROVALVE AND ACOUSTIC WARNING

CHASSIS: 37063

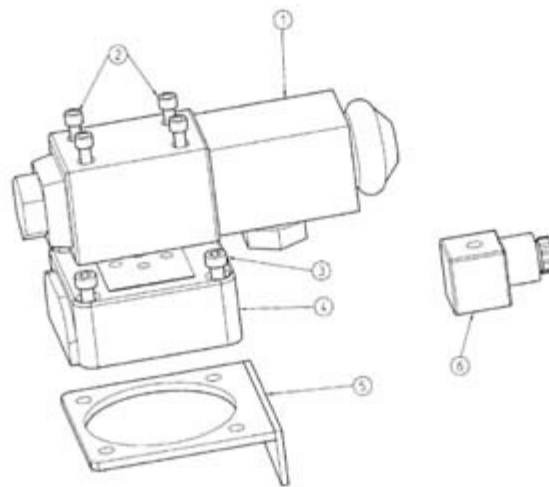
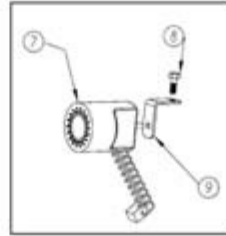


FIGURE	REFERENCE	DENOMINATION	AMOUNT
001	43.70121.00	ELECTROVALVULA	1
002	601.06040.86	SCREW DIN912	4
003	601.06040.86	SCREW DIN912	4
004	43.70122.00	PLACA REPARTIDORA 60X60	1
005	10.04010.00	FIXING SUPPORT	1
006	10.14436.00	PLUG	1
007	02.14110.01	HORN	1
008	604.08030.86	SCREW DIN931	1
009	55.10127.00	PROFILE 60x60x30	1

ELECTRIC INSTALLATION

STARTING BOARD

CHASSIS: 31596

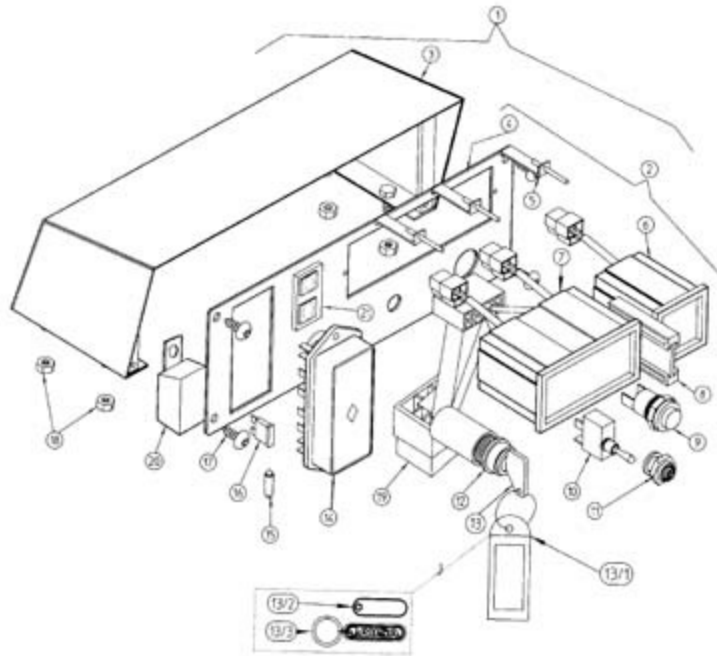


FIGURE	REFERENCE	DENOMINATION	AMOUNT
001	15.45070re00	DASH, PANEL	1
002	15.04507.00	DASH, PANEL	1
003	09.00922.04	SUPPORT PLATE	1
004	60.00923.02	FLANGE	1
005	46.50029.00	CLAMP	1
006	46.50021.05	BOX. NEUTRO EST.00128	1
007	46.50021.04	BOX.	1
008	46.50028.00	ADAPTADOR 1921	1
009	01.00796.00	PUSCH BUTTOM	1
010	43.50024.01	SWITCH	1
011	43.50025.00	DUST EXCLUDER	1
012	01.00823.03	CONMUTATOR	1
013	43.50022.02	KEY RING	1
013	43.50080.00	INDICATOR	1
013	43.50022.02	KEY RING	1
013	43.50022.02	KEY RING	1

013	01.08223.03	KEY	1
014	01.00877.00	BOX.	1

ELECTRIC INSTALLATION

STARTING BOARD

CHASSIS: 31596

FIGURE	REFERENCE	DENOMINATION	AMOUNT
015	43.50032.00	FUSE 15A	1
015	43.50032.00	FUSE 15A	1
016	43.50029.00	FUSIBLE 7.5A	1
017	630.06015.96	SCREW ISO7380 M6x15	1
018	701.06000.66	NUT DIN934 M6X1	1
019	55.04507.01	LENGTH ELEC. INSTAL.	1
020	43.01530.02	RELAY 40 AMP. 5 CONTAC. 6.3MM	1
021	55.09063.00	WARNING LIGHT	1
022	43.50057.02	BOX.	1

ELECTRIC INSTALLATION

LIGHTING

CHASSIS: 30999

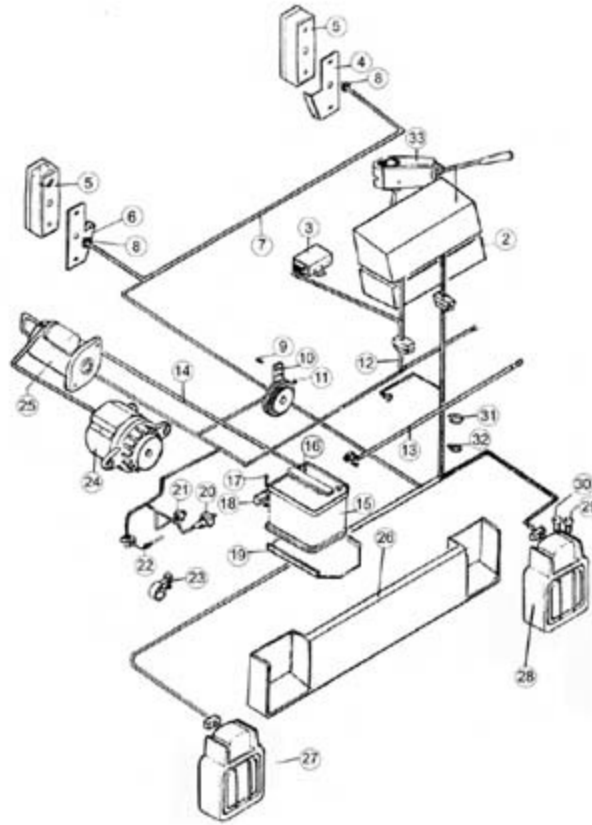


FIGURE	REFERENCE	DENOMINATION	AMOUNT
001	15.45070RE01	DASH, PANEL	1
002	60.00933.00	SUPPORT PLATE	1
003	43.01530.02	RELAY 40 AMP. 5 CONTAC. 6.3MM	2
004	60.01114.00	LIGHT SUPPORT	1
005	54.01327.00	PILOT	2
006	60.01113.00	SHEET SUPPORT	1
007	58.01521.01	LENGTH ELEC. INSTAL.	1
008	16.01155.00	GROMMET D11XD15XD19X4X8	2
009	603.06015.86	SCREW DIN933 M6x15	2
010	00.09034.00	HORN	1
011	701.06000.66	NUT DIN934 M6X1	2
012	60.70237.03	LENGTH ELEC. INSTAL.	1
013	01.00842.00	ELECTRICAL CABLE	1
014	15.01443.00	ELECTRICAL CABLE	1
015	15.01411.00	BATTERY 12VX70AH	1
016	46.10002.00	TERMINAL PROTECTOR	1

017	603.06030.86	SCREW DIN933 M6x30	1
018	20.11101.00	FIXATION SUPPORT 2X10X70	1

ELECTRIC INSTALLATION

LIGHTING

CHASSIS: 30999

FIGURE	REFERENCE	DENOMINATION	AMOUNT
019	58.10825.00	SOP. BATERIA 14x182x294	1
020	60.00189.00	THERMOCONTACT	1
021	60.00188.00	OIL PRESSURE LIGHT	1
022	60.00190.00	THERMOCONTACT	1
023	830.01806.00	CLAMP LOOP	8
024	IZ.10001.00	GENERATOR	1
025	IZ.10002.00	STARTER ASSY	1
026	60.99225.00	LIGHT SUPPORT	1
027	00.09032.10	BEACON	1
028	00.09032.11	BEACON	1
029	31.01331.00	LAMP 12V 21W/5W	2
030	31.01329.00	LAMP 12V 21W	2
031	946.01400.00	CLAMP SPRING	6
032	946.01200.00	CLAMP SPRING	2
033	55.90620.01	CONMUTATOR	1

ELECTRIC INSTALLATION LIGHTING PANEL

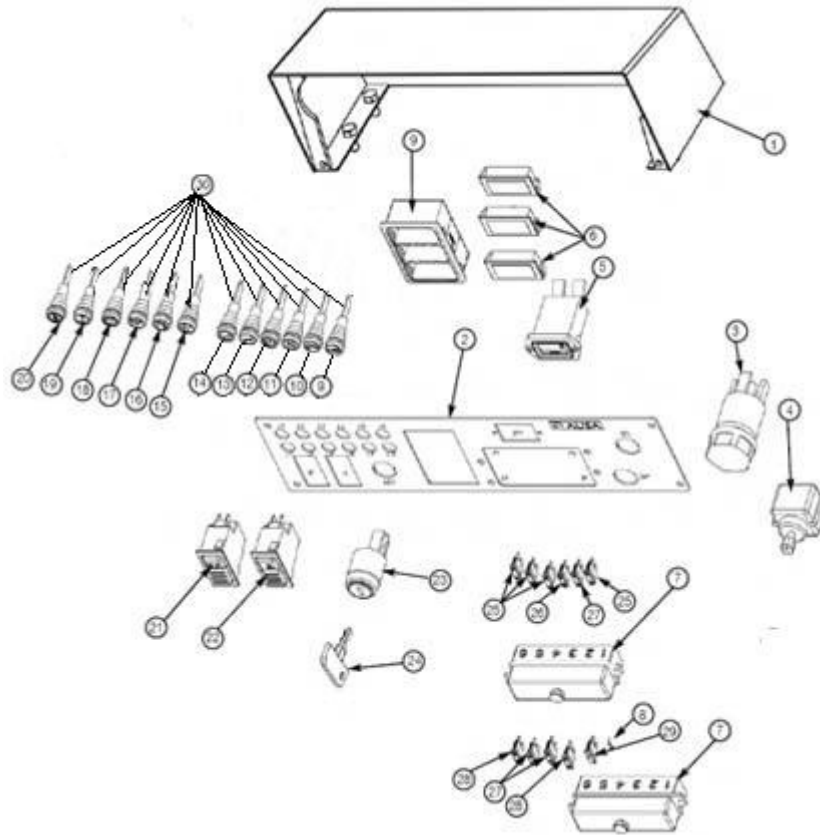


FIGURE	REFERENCE	DENOMINATION	AMOUNT
001	09.00924.20	TAPA. 2X104X396 MANDOS ELEC.	1
002	43.50045.00	RESISTENCIA 150 OHM 2W	1
003	43.50023.00	0	1
004	43.50026.00	CONMUTATOR	1
005	IM.20100.00	CONTADOR HORAS	1
006	IM.20103.00	TAPA. INTERRUPTOR	3
007	IM.20104.00	CAJA. PORTAFUSIBLES 6 U.	2
008	43.50045.00	RESISTENCIA 150 OHM 2W	1
009	IM.20102.00	CAJA. 3VIAS SWF	1
010	IM.20117.00	LUZ TESTIGO MARCHA LENTA	1
011	IM.20118.00	LUZ TESTIGO MARCHA RAPIDA	1
012	IM.20112.00	BEAM LIGHTS INDICATOR	1
013	IM.20111.00	LUZ TESTIGO LUZ POSIC.	1
014	IM.20207.00	LUZ TESTIGO INTERMITENTE	1
015	IM.20114.00	PRE HEATING INDICATOR	1
016	IM.20116.00	LUZ TESTIGO NIVEL COMB.	1

017	IM.20109.00	OIL PRESSURE INDICATOR	1
018	IM.20110.00	GENERATOR INDICATOR	1

ELECTRIC INSTALLATION LIGHTING PANEL

FIGURE	REFERENCE	DENOMINATION	AMOUNT
019	IM.20108.00	WATER TEMPERATURE INDICATOR	1
020	IM.20113.00	AIR FILTER INDICATOR	1
021	12.11052.00	ROTARY LIGHT SWITCH	1
022	12.11050.00	TULIPA INTERRUPTOR WARNING	1
023	01.00823.03	CONMUTATOR	1
024	01.08223.03	KEY	1
025	43.50032.00	FUSE 15A	4
026	43.50042.00	FUSE 25A	1
027	43.50029.00	FUSIBLE 7.5A	3
028	43.50043.00	FUSE 20A	2
029	43.50044.00	DIODO 3A	1
030	IM.20105.00	LAMP 12V	1

OPTION AND VARIANTS

DRIVER PROTECTOR ROOF

CHASSIS: 35649

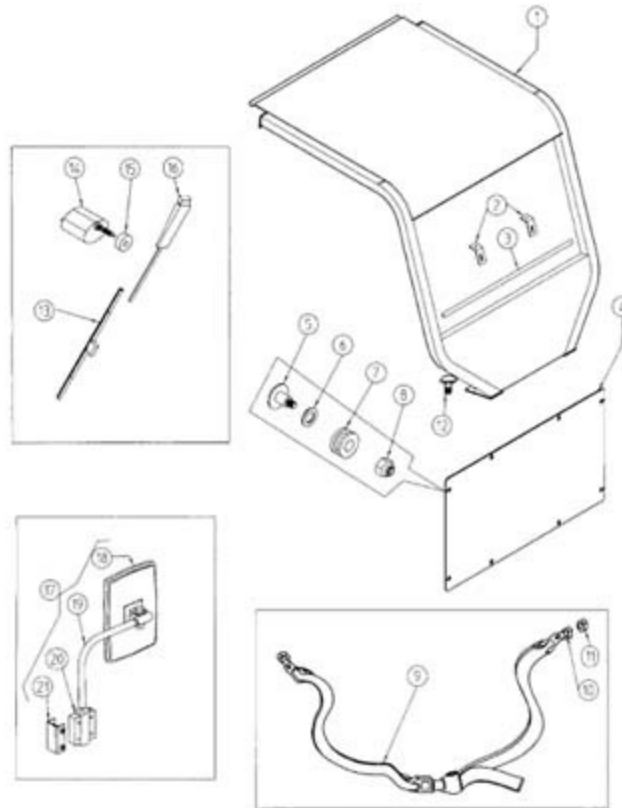


FIGURE	REFERENCE	DENOMINATION	AMOUNT
001	60.08240.01	PROT. CONDUCTOR 960X1000X1140	1
001	60.08240.02	DRIVER GUARD	1
002	01.08251.00	BRACKET ANG.	2
003	54.01121.00	PERFIL GOMA 8x15x300	1
004	60.08327.01	GLASS	1
005	43.50941.00	SCREW DIN923*	8
006	101.06000.66	WASHER DIN125 D6	8
007	16.00760.00	BUSH	8
008	711.06000.66	NUT DIN982 M6	8
009	45.60002.01	BELT	1
010	618.12025.86	SCREW DIN7991	2
011	711.12000.66	NUT DIN982 M12	2
012	605.10030.66	SCREW DIN603	4
013	46.00842.00	WINDSCREEN WIPER BLADE	1
014	46.00843.00	MOTOR WINDSCREEN WIPER	1
015	01.00804.01	BUSH	1

016	46.00841.00	WINDSCREEN WIPER ARM	1
017	09.11009.00	REARVIEW MIRROR COMPLETE ASSY	1

OPTION AND VARIANTS

DRIVER PROTECTOR ROOF

CHASSIS: 35649

FIGURE	REFERENCE	DENOMINATION	AMOUNT
018	09.11009.00	REARVIEW MIRROR COMPLETE ASSY	1
019	09.11010.00	SUPPORT 16X143X143	1
020	09.11011.00	AXLE SUPPORT MIRROR	1
021	09.11012.00	SOP. EJE 18X25X75 RETROVISOR	1
022	60.18240.00	SUPLEMENTO CHAPA 115X204X568	1

OPTION AND VARIANTS

LOW UNLOAD FUNNEL

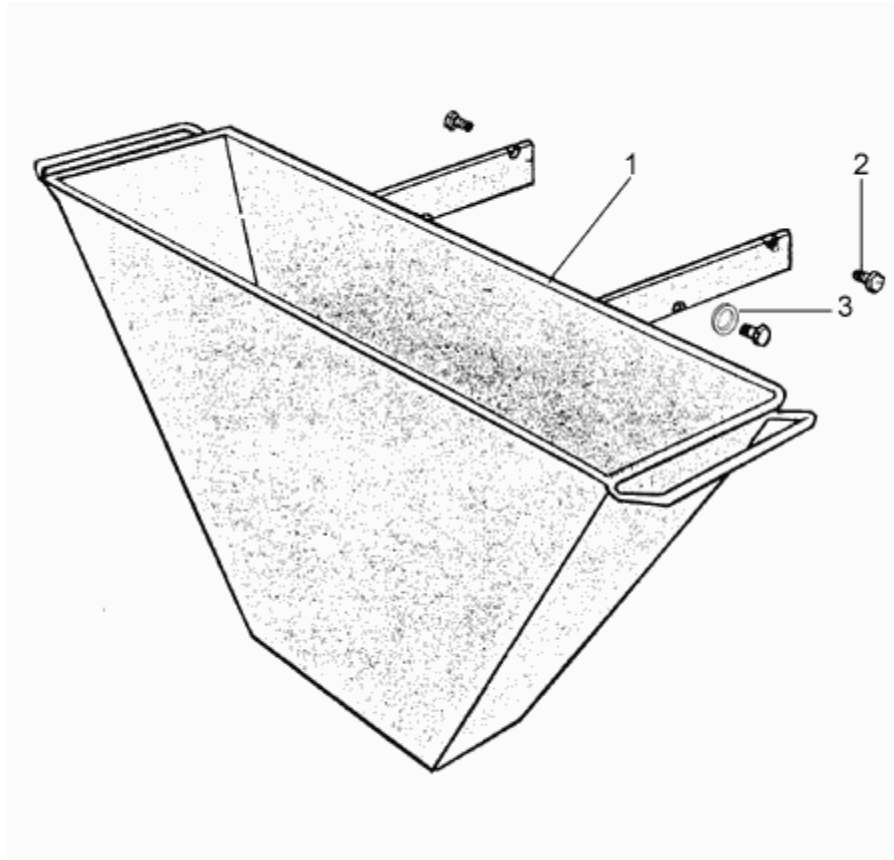


FIGURE	REFERENCE	DENOMINATION	AMOUNT
001	60.12101.00	SKIP	1
002	09.12312.00	AXLE CIL/ROS	4
003	104.14000.00	CIR-CLIP EXT. DIN7980	4

OPTION AND VARIANTS

ROTATING BEACON

CHASSIS: 37045

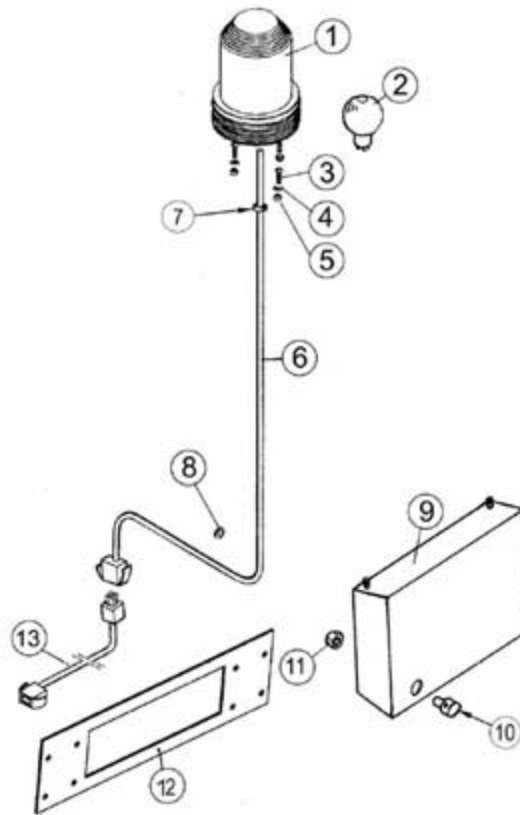


FIGURE	REFERENCE	DENOMINATION	AMOUNT
001	01.00921.00	BEACON	1
002	01.00923.00	BULB	1
003	601.06025.86	SCREW DIN912	3
004	101.06000.66	WASHER DIN125 D6	3
005	711.06000.66	NUT DIN982 M6	3
006	01.00938.00	LENGTH ELEC. INSTAL.	1
007	43.07777.00	GROMMET	2
008	16.01155.00	GROMMET D11XD15XD19X4X8	1
009	60.14454.00	BULB GUARD	1
010	01.00735.00	SUPPORT ART.	1
011	711.08000.66	NUT DIN982 M8	1
012	60.14455.00	SHEET SUPPORT	1
013	60.13315.00	LENGTH ELEC. INSTAL.	1

OPTION AND VARIANTS

AUXILIARY BRAKE

CHASSIS: 37045

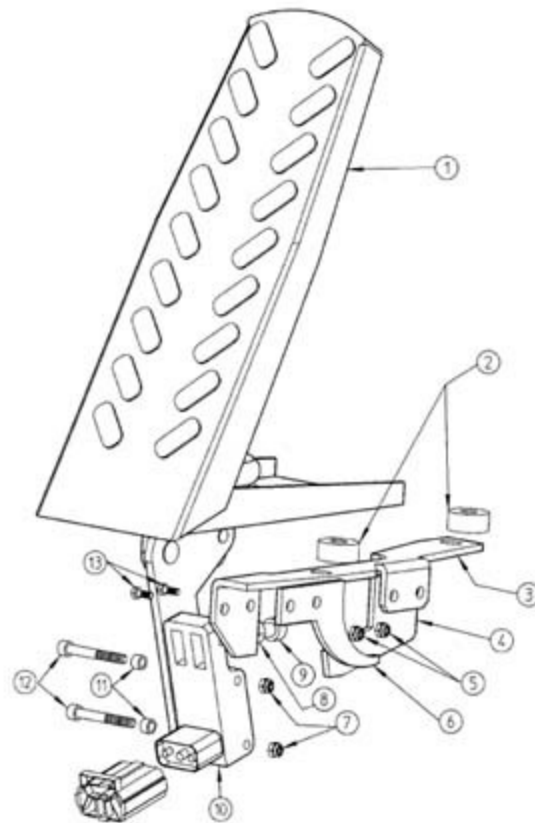


FIGURE	REFERENCE	DENOMINATION	AMOUNT
001	43.80250.00	CLUTCH PEDAL	1
002	10.08018.00	RING	2
003	10.07070.00	FIXING SUPPORT	1
004	10.07072.01	CAM	1
005	711.06000.66	NUT DIN982 M6	4
006	10.07071.00	CAM	1
007	711.04000.66	NUT	2
008	701.06000.66	NUT DIN934 M6X1	1
009	601.06020.86	SCREW DIN912	1
010	10.07073.00	SENSOR	1
011	940.04004.00	BUSH	2
012	601.04035.86	SCREW DIN912	2
013	603.05015.86	SCREW DIN933	4

PLATES

PLATES

CHASSIS: 35649

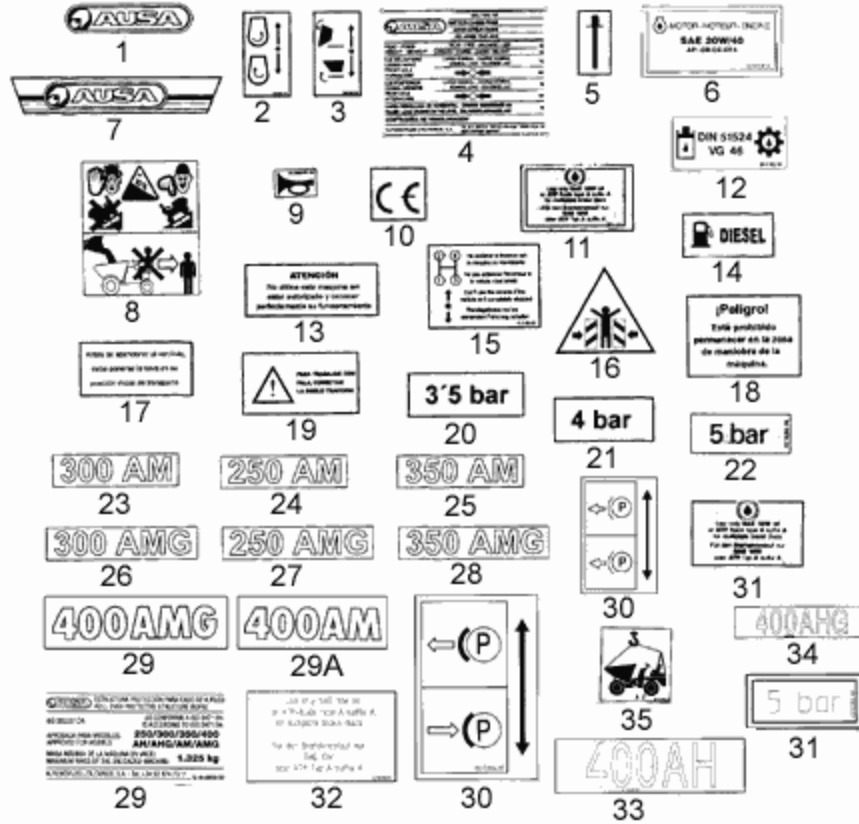


FIGURE	REFERENCE	DENOMINATION	AMOUNT
001	09.09902.01	PLATE AD. INDI	1
002	08.01351.00	PLATE AD. INDI	1
003	09.01351.00	PLATE AD. INDI	1
004	01.00779.26	PLATE - CONTACT WITH AUSA	1
005	502.03000.60	RIVET DIN1476	1
006	43.01170.02	PLATE AD. INDI	1
007	09.00769.00	PLATE AD. INDI	1
008	46.00825.00	PLATE AD. INDI	1
009	02.00774.00	PLATE AD. INDI	1
010	45.19101.00	PLATE AD. INDI	1
011	55.00780.00	PLATE AD. INDI	1
012	43.01352.20	PLATE AD. INDI	1
013	43.01356.00	PLATE AD. INDI	1
014	43.01355.01	PLATE AD. INDI	1
015	58.01354.00	PLATE AD. INDI	1
016	60.22350.00	PLATE AD. INDI	1

017	02.00773.01	PLATE AD. INDI	1
018	14.00775.01	PLATE AD. INDI	1

PLATES

PLATES

CHASSIS: 35649

FIGURE	REFERENCE	DENOMINATION	AMOUNT
019	01.00779.12	PLATE AD. CHARAC.	1
020	15.30250.00	PLATE AD. INDI	1
020	15.30250.01	PLATE AD. INDI	1
020	15.30250.02	PLATE AD. INDI	1
020	15.30250.03	PLATE AD. INDI	1
021	01.01355.08	PLATE AD. INDI	1
022	01.01355.05	PLATE AD. INDI	1
023	60.20010.00	INDICATOR	1
024	60.20012.00	INDICATOR	1
025	60.20014.00	PLATE AD. INDI	1
026	60.20016.00	INDICATOR	1
027	60.20004.00	PLATE AD. INDI	1
028	60.20005.00	PLATE AD. INDI	1
029	60.08238.01	PLATE AD. INDI	1
030	60.15804.00	PLATE AD. INDI	1
031	43.70355.00	PLATE AD. INDI	1
032	43.70780.01	PLATE AD. INDI	1
033	60.20006.00	PLATE AD. INDI	1
034	60.20007.00	PLATE AD. INDI	1
035	60.01353.01	PLATE AD. INDI	1

HYDRAULIC INSTALLATION

DUMPING CYLINDER 400 AH

CHASSIS: 29377

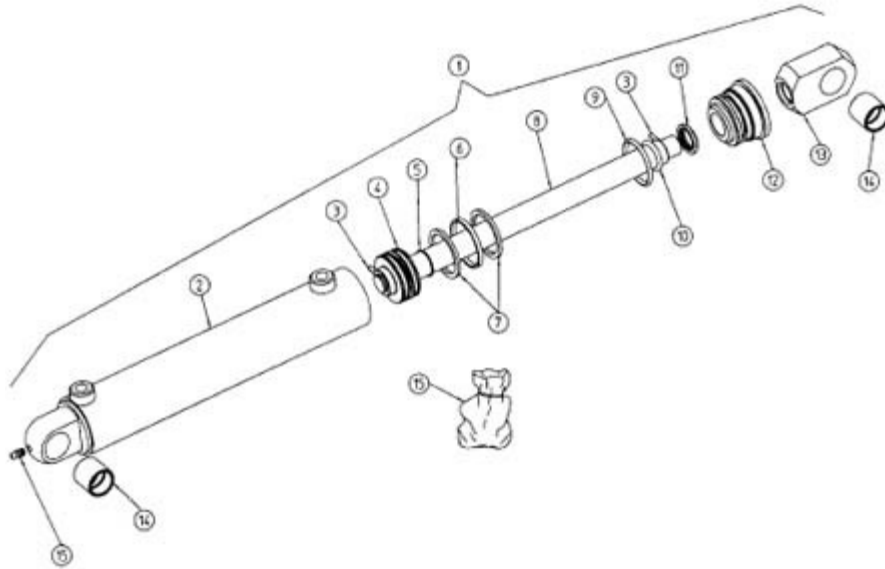


FIGURE	REFERENCE	DENOMINATION	AMOUNT
001	08.00500.22	CYLINDER D/E	2
002	08.00520.12	CUERPO CIL. 62X443 SOLD.	2
003	402.05035.00	PASADOR DIN1481 5x35	4
004	08.00521.08	EMBOLO 24X63X36	2
005	201.03002.50	O-RING DIN3770	2
006	236.52634.50	JUNTA ESTAN. COMPAC. D52XD63X4	2
007	235.58063.50	GUIDE	2
008	08.00525.12	VASTAGO D30X433	2
009	201.05153.50	O-RING DIN3770	2
010	232.30006.50	JUNTA ESTAN. COMPAC. D30X6	2
011	233.30005.50	WIPER RING	2
012	08.00528.04	GUIA VASTAGO VASTAGO 30X50X75	2
013	08.00529.00	CABEZA VASTAGO 35X65X91	2
014	08.00527.00	BEARING	2
015	08.99500RE05	GASKET SET	2

05. BRAKE ACTIVATION HANDBRAKE (PART 1)

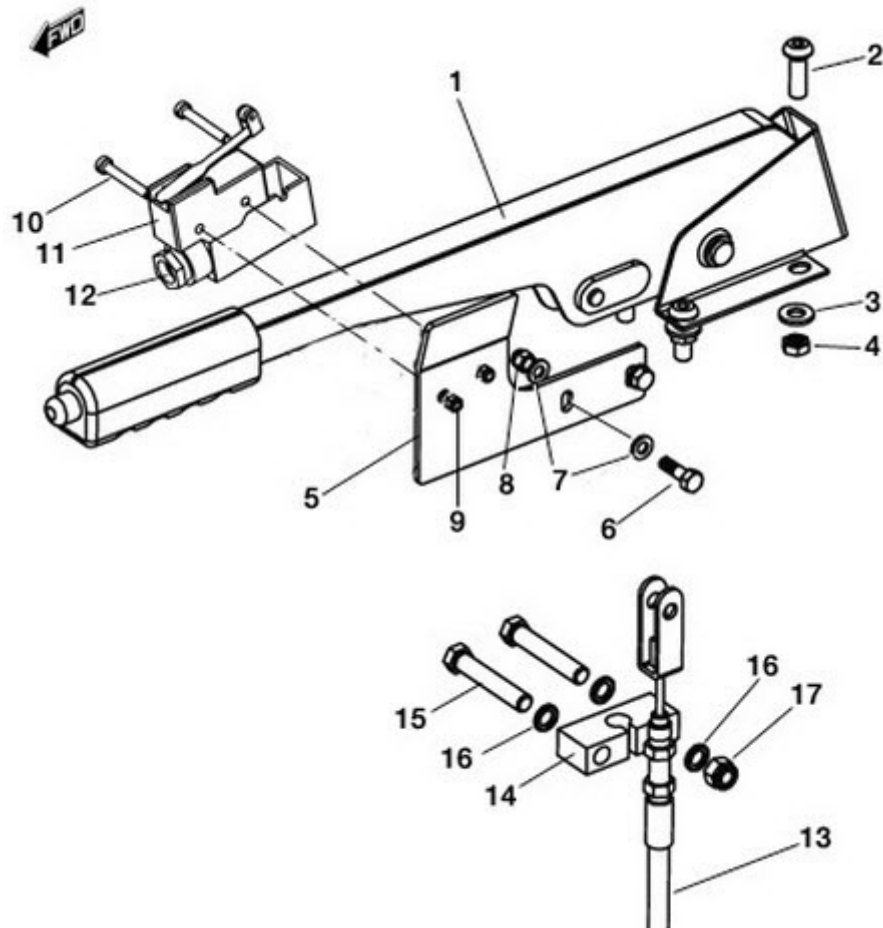


FIGURE	REFERENCE	DENOMINATION	AMOUNT
001	63.05201.00	LEVER, HANDBRAKE	1
002	630.08025.96	SCREW ISO7380	4
003	101.08000.66	WASHER DIN125 D8	4
004	701.08000.66	NUT DIN934 M8X1,25	4
005	64.05131.00	SUPPORT 140x3	1
006	604.06025.86	SCREW	2
007	101.06000.66	WASHER DIN125 D6	4
008	711.06000.66	NUT DIN982 M6	2
009	711.04000.66	NUT	2
010	604.08050.86	SCREW DIN931	2
011	60.00782.00	SWITCH	1
012	60.00783.00	OMRON PROTECCION MICRO APB-PG	1
013	64.05113.02	BRAKE CABLE, DANA 4x3850	1
014	43.00755.13	SUPPORT 15x23x64	1

015	604.08050.86	SCREW DIN931	2
016	101.08000.66	WASHER DIN125 D8	2
017	711.08000.66	NUT DIN982 M8	2

05. BRAKE ACTIVATION

HANDBRAKE (PART 1)

CHASSIS: 63607

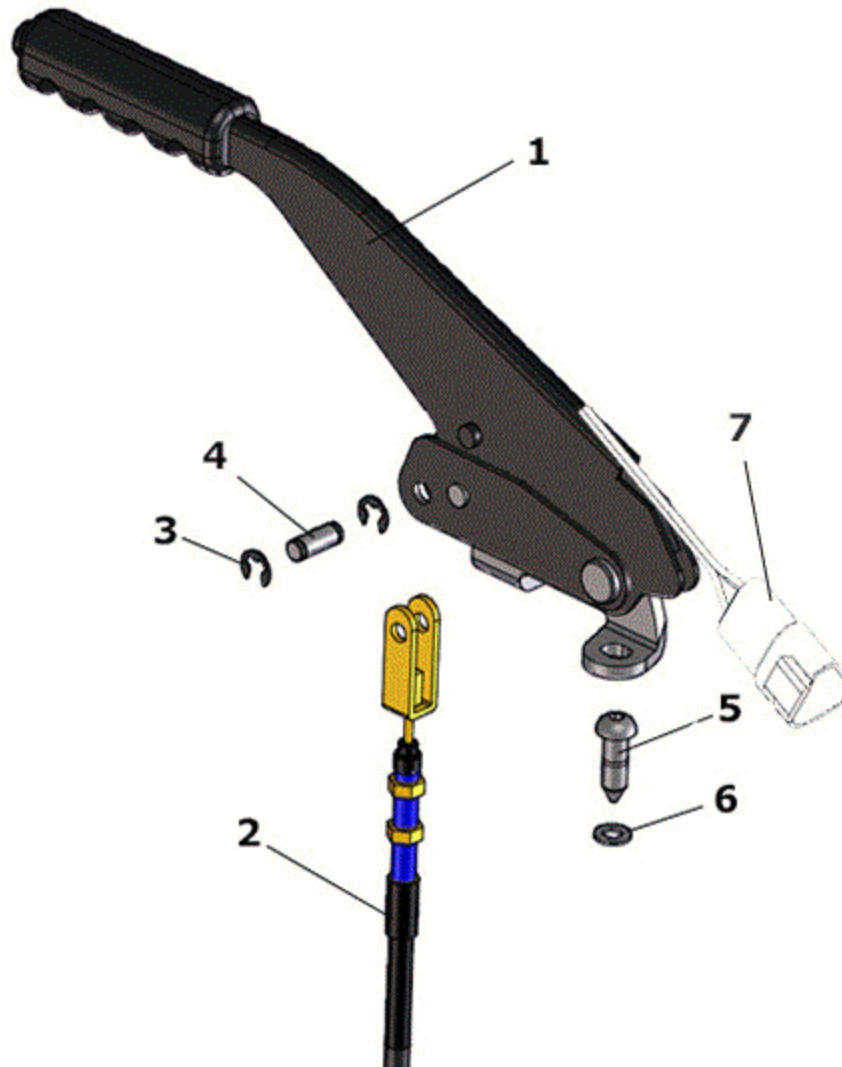


FIGURE	REFERENCE	DENOMINATION	AMOUNT
001	65.05221.00	ACC LEVER. BRAKE	1
002	64.05113.05	BRAKE CABLE, DANA 4x3850	1
003	961.08000.00	SAFETY RING DIN6799	2
004	65.05135.00	PIN 9x25	1
005	630.10025.96	SCREW ISO7380	2
006	101.10000.66	WASHER DIN125 D10	2
007	65.05223.00	HAND BRAKE SENSOR	1

COMMENTS

Se modifica la palanca freno de mano incorporando un microinterruptor

INDEX

02. ENGINE

engine supports - 32506	2
Silencer - 33470	3
Air filter comp. - 39954	4
Radiators - 32670	5
Gas-oil tank - 32895	7

CHASSIS

Chassis	9
Chassis connecting rod	10

TRANSMISSION

Hydromatic support - 39797	11
Reductor support	13
Hydromatic pump coupling - 35863	15
Front axle	16
Cardan joints (front axle)	17
Rear axle	18
Kardan joint (Rear axle)	19

GAS

Accelerator pedal	20
-------------------	----

BRAKES

Brake installation	22
--------------------	----

STEERING

Steering	24
Steering - 63390	25
Steering cylinder mounting Rear axle	26

07. WHEELS

Wheel 300-350-400 AH/AHG	28
Wheel U.K. VERSION (1) - 38555	29

BODY

Covers and protectors - 35649 30

08. BODYWORK

Engine Protector 32

BODY

Steering support - 35649 33

Seat - 30339 34

08. BODYWORK

DRIVER PROTECTOR ROOF - 37045 35

Machine operation tools

Rotating hopper support - 31970 36

HOPPER - 27977 37

Hydraulic installation

Actionament AH 38

Actionament 250-300 AH/AHG - 35863 40

Transmission - 35589 42

Distributor 44

Oil tank - 32274 45

Oil tank 46

Dumping cylinder 250/300/350 AH - 31991 47

Crown cylinder - 29848 49

Electric Installation

Starting - 30999 51

Electric Installation 53

Auto control box 54

Electrovalve and acoustic warning - 37063 55

Starting board - 31596 56

Lighting - 30999 58

Lighting Panel 60

Option and variants

Driver protector roof - 35649 62

Low unload funnel	64
Rotating beacon - 37045	65
Auxiliary brake - 37045	66

Plates

Plates - 35649	67
----------------	----

Hydraulic installation

Dumping cylinder 400 AH - 29377	69
---------------------------------	----

05. BRAKE ACTIVATION

Handbrake (Part 1)	70
Handbrake (Part 1) - 63607	71